

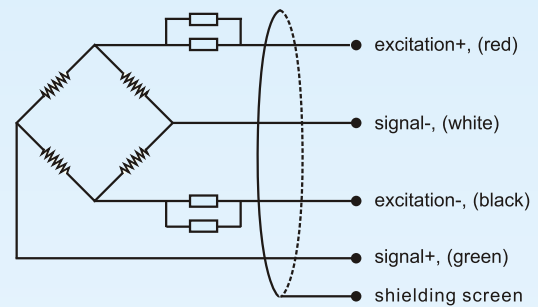
Model 1111/1191 Miniature Compression Force Sensors

Based on BCM advanced strain gauge technology, model 1111/1191 miniature force sensors are specially designed for application in a space limited area where the compression force has to be measured. The miniature dimensions allow the 1111 (made from alloy steel) and 1191 (made from stainless steel) force sensors to be easily installed in a measurement system.

The 11-series force sensors possess 1%fso (or 0.5%fso on request) measuring accuracy and can be used to measure the compression forces ranging from 0.1~20 kN. Thanks to BCM's leading technology in sealing, these 11-series force sensors are made to a higher protection grade IP66 (standard) or IP67 (option), and fit to harsh industrial conditions.

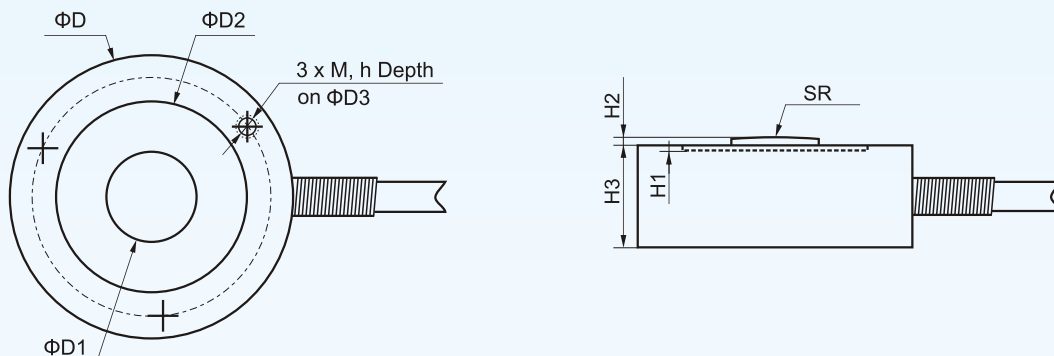


Electrical connection:



- **type:** plate-beam load cells
- **material:** alloy steel (1111); stainless steel (1191)
- **surface:** nickel plated treatment (1111 only)
- **protection:** IP 66 (standard), IP 67 (on request)
- **application:** compression force measurement

Dimensions:



force range (kN)	D1	D2	D3	D	M	h	H1	H2	H3	SR
0.1, 0.2, 0.3, 0.5	5.4	15	18	25	M2	thru	0.5	1.3	7.7	SR40
1, 2, 3, 5	8	18.5	24	31.3	M2	6	0.5	1.3	8.5	SR50
10, 15, 20	12	25.4	32	37.7	M3	8	0.7	1.7	14	SR60

BCM SENSOR TECHNOLOGIES BVBA

Model 1111/1191

Miniature Compression Force Sensors



Specifications:

force range	kN	0.1, 0.2, 0.3, 0.5, 1, 2, 3, 5, 10, 15, 20
rated output	mV/V	1.5
accuracy	%FSO	± 1 (standard), 0.5
zero unbalance	%FSO	± 1
non-linearity	%FSO	± 1
hysteresis	%FSO	± 1
repeatability	%FSO	± 0.2
temperature coefficient of SPAN	%FSO/10°C	0.2
temperature coefficient of ZERO	%FSO/10°C	0.1
input resistance	Ω	410 ± 30
output resistance	Ω	350 ± 10
insulation resistance	MΩ	≥ 2000@50 VDC
excitation recommended	V	10 DC/AC
maximum excitation	V	15 DC/AC
compensated temperature range	°C	-10 ~ +40
operating temperature range	°C	-20 ~ +65
safe overload	%FS	120
ultimate overload	%FS	150
cable length	m, shielded PVC cable	1.5 (Φ2 mm 4-wire)

The listed specifications are subject to change without prior notice.

How to order: model - force range - output - accuracy - IP rating - cable length - customer specific requests
ordering code example: 1111 - 2 kN - 1.5mV/V - 1%fso- IP 66 - 1.5m - no specific requests

BCM SENSOR TECHNOLOGIES BVBA

Industriepark, Brechtsebaan 2
B-2900 Schoten - Antwerpen, BELGIUM

Tel.: +32-3-238 6469
Fax: +32-3-238 4171

website: www.bcmsensor.com
email: sales@bcmsensor.com