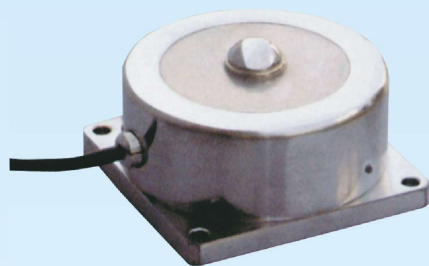
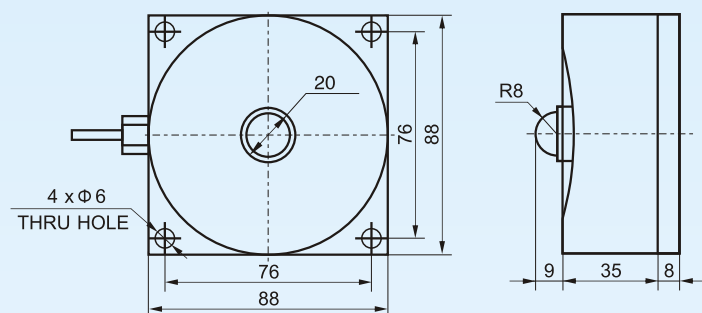


# Model 1316/1396 Pancake Load Cells

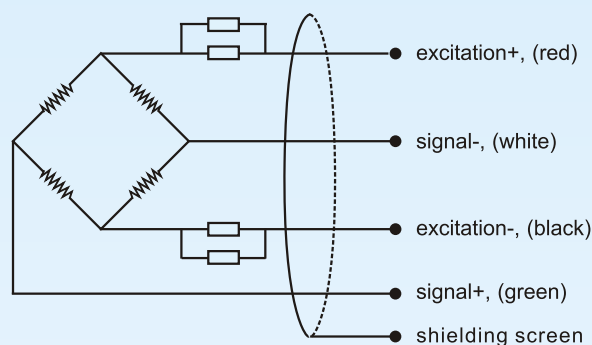


**type:** compression load cell  
**material:** alloy steel (1316); stainless steel (1396)  
**surface:** nickel plated treatment (1316 only)  
**protection:** IP 66  
**application:** truck scales, vehicle scales  
 and batching plant scales

## Dimensions:



## Electrical connection:



## Specifications:

|                                 |                       |                    |       |
|---------------------------------|-----------------------|--------------------|-------|
| capacity                        | t                     | 0.3, 0.5, 1, 2, 3  |       |
| rated output                    | mV/V                  | 1.5 ± 0.2          |       |
| accuracy                        | %FSO                  | ± 0.1              | ± 0.5 |
| zero unbalance                  | %FSO                  | ± 2.0              | ± 2.0 |
| non-linearity                   | %FSO                  | ± 0.1              | ± 0.5 |
| hysteresis                      | %FSO                  | ± 0.1              | ± 0.3 |
| repeatability                   | %FSO                  | ± 0.1              | ± 0.1 |
| creep                           | %FSO/30min            | ± 0.1              | ± 0.3 |
| temperature coefficient of SPAN | %FSO/10°C             | 0.05               |       |
| temperature coefficient of ZERO | %FSO/10°C             | 0.05               |       |
| input resistance                | Ω                     | 350 ± 10           |       |
| output resistance               | Ω                     | 350 ± 10           |       |
| insulation resistance           | M                     | ≥ 1000@50 VDC      |       |
| excitation recommended          | Vdc                   | 10                 |       |
| maximum excitation              | Vdc                   | 12                 |       |
| compensated temperature range   | C                     | -10 ~ +50          |       |
| operating temperature range     | C                     | -20 ~ +60          |       |
| safe overload                   | %FS                   | 150                |       |
| ultimate overload               | %FS                   | 200                |       |
| cable length                    | m, shielded PVC cable | 3 (Φ3.8 mm 4-wire) |       |

The listed specifications are subject to change without prior notice.

**How to order:** model - capacity - output - accuracy - IP rating - cable length - customer specific requests  
**ordering code** example: 1316 - 1t - 1.5mV/V - 0.5%fso - IP 66 - 3m - no specific requests

## BCM SENSOR TECHNOLOGIES BVBA