

Model 1415 Column Compression Load Cells

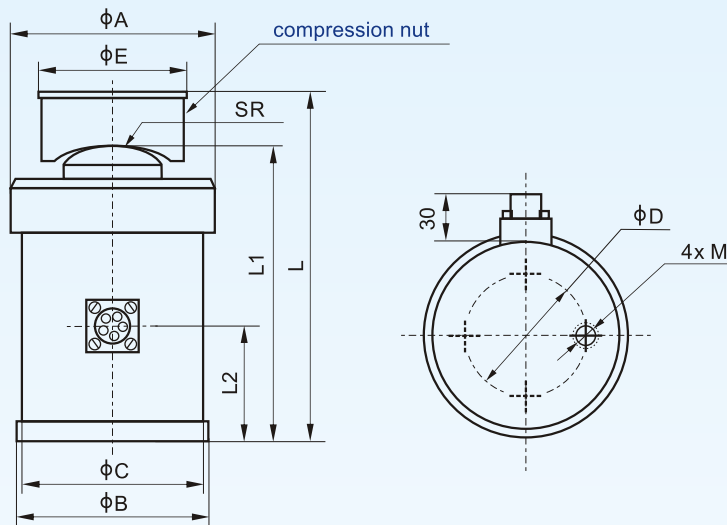
Based on BCM advanced metal foil strain gauges technology and made of alloy steel single ball-ended constructions, model 1415 compression load cells are widely used in truck scales, vessel weighing scales, hopper scales, and some areas need to measure compression loads or forces, the load cells feature nice long-term stability and reliability in severe operating conditions.

Model 1415 compression load cells have very wide load capacities from 5kg to 600T, possess optional accuracies of 0.03 ~ 1 %fso (fso = full scale output). Load cell must be put on a smooth flat surface and properly mounted on it, the installation or replacement load cell in this process is easy.

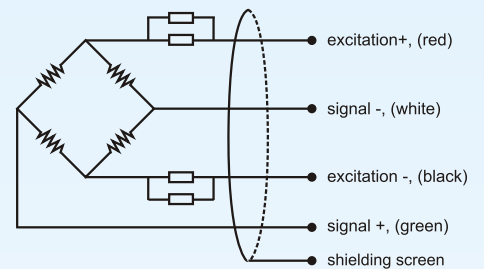


type: column compression load cell
material: alloy steel
surface: nickel plated treatment
protection: IP 66, IP 67
application: truck scales, vessel weighing and hopper scales

Dimensions:



Electrical connection:



Capacity (t)	L	L1	L2	SR	A	B	C	D	E	M
0.5, 1, 2	108	88	40	15	70	N.A.	60	38	50	M6-8h
3, 6	123	97	42	20	70	N.A.	60	38	50	M6-8h
10, 20, 30	159	120	56	30	100	N.A.	90	56	60	M8-10h
50, 60, 70, 120	228	178	78	40	128	118	108	90	85	M10-15h
150, 200, 300	310	235	118	150	N.A.	N.A.	183	110	100	M16-20h
500, 600	310	235	118	200	N.A.	N.A.	193	120	160	M24-25h

N.A.: not available

Model 1415

Column Compression Load Cells



Specifications:

capacity		5~300kg,	0.5~30t,	50~200t,	300, 500t
rated output	mV/V	2.0	1.0~3.0	1.5	1.5
accuracy	%FSO	±0.03/±0.05	±0.05/±0.1/±0.2	±0.1/±0.3/±0.5	±0.3/±0.5/±1
zero unbalance	%FSO	±0.5	±1	±1	±1
non-linearity	%FSO	±0.03/±0.05	±0.05/±0.1/±0.2	±0.1/±0.3/±0.5	±0.3/±0.5/±1
hysteresis	%FSO	±0.03	±0.05	±0.1	±0.3
repeatability	%FSO	±0.03	±0.05	±0.1	±0.3
creep	%FSO/30min	±0.03	±0.05	±0.1	±0.3
temperature coefficient SPAN	%FSO/10°C	0.03	0.05	0.1	0.3
temperature coefficient ZERO	%FSO/10°C	0.03	0.05	0.1	0.3
input resistance	Ω	380 ± 10	380 ± 10	760 ± 10	760 ± 10
output resistance	Ω	350 ± 10	350 ± 10	700 ± 10	700 ± 10
insulation resistance	MΩ	≥5000@50 VDC			
excitation recommended	V	12 DC/AC			
maximum excitation	V	16 DC/AC			
compensated temperature range	°C	-10 ~ +55			
operating temperature range	°C	-20 ~ +65			
safe overload	%FS	150			
ultimate overload	%FS	200			
cable length	m, shielded PVC cable	3 (5~300 kg), 8 (0.5~30t), 13 (50~500 t) Φ5.7 mm 4-wire			

The listed specifications are subject to change without prior notice.

How to order: model - capacity - output - accuracy - IP rating - cable length - nut - customer specific requests
ordering code example: 1415 - 200t - 2mV/V - 0.3%fso - IP 67 - 13m - need nut - no specific requests

BCM SENSOR TECHNOLOGIES BVBA

Industriepark, Brechtsebaan 2
 B-2900 Schoten - Antwerpen, BELGIUM

Tel.: +32-3-238 6469
 Fax: +32-3-238 4171

website: www.bcmsensor.com
 email: sales@bcmsensor.com