

# Model 1416/1496 column Compression Load Cells

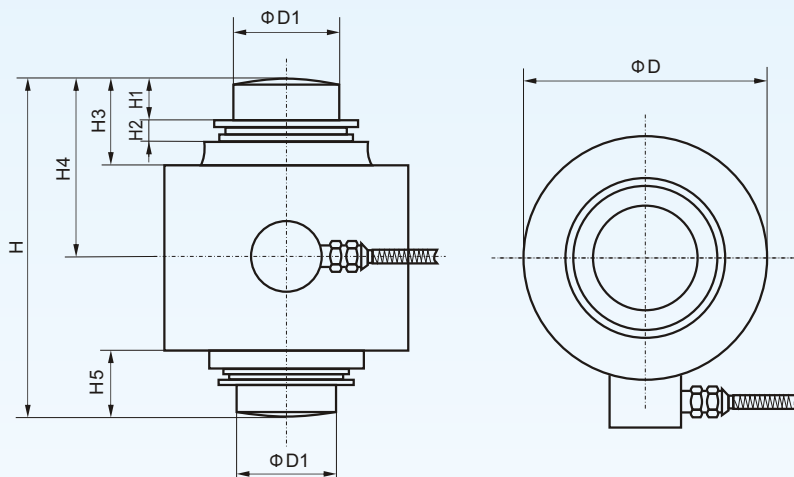
Based on BCM advanced metal foil strain gauges technology and made of double ball-ended constructions, model 1416/1496 compression load cells are widely used in truck scales, vessel weighing scales, hopper scales, and some areas need to measure compression loads or forces, the load cells feather self-correction to load core, fast dynamic reaction, nice long-term stability and reliability in severe operating conditions. The load cell with its compression nuts must be set in a hole which bottom is flat surface.

Model 1416/1496 compression column load cells have wide load capacities from 10T to 50T, posses high accuracy of 0.02 %fso (fso = full scale output)and low temperature effect errors(0.003%FS/°C). Thanks to BCM leading technology in sealing, these 14-series load cells can be made to a higher protection grade IP 67, and fit to harsh industrial conditions.

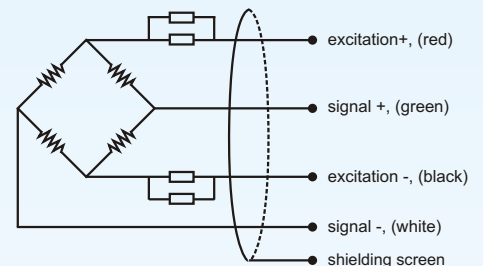


**type:** column compression load cell  
**material:** alloy steel (1416) / stainless steel (1496)  
**surface:** nickel plated treatment (1416 only)  
**protection:** IP 66, IP 67  
**application:** truck scales, vessel weighing and hopper scales

## Dimensions:



## Electrical connection:



capacity(t)	H	H1	H2	H3	H4	H5	D1	D
10, 15, 20	89	11	6	23	44	17	28	65
30	140	13	6.5	28	70	26	39	81
40	150	13	11.7	33	75	31	39	81
50	178	17	8.5	34	89	32	44	99

**BCM SENSOR TECHNOLOGIES BVBA**

# Model 1416/1496 column Compression Load Cells



## Specifications:

capacity	t	10, 15, 20, 30, 40, 50	
rated output	mV/V	2.0 ± 0.004	
accuracy	%FSO	± 0.02	± 0.03
zero unbalance	%FSO	± 1.0	± 1.0
non-linearity	%FSO	± 0.02	± 0.03
hysteresis	%FSO	± 0.02	± 0.03
repeatability	%FSO	± 0.03	± 0.03
creep	%FSO/30min	± 0.02	± 0.03
temperature coefficient of SPAN	%FSO/10°C	± 0.02	
temperature coefficient of ZERO	%FSO/10°C	± 0.03	
input resistance	Ω	750 ± 10	
output resistance	Ω	700 ± 10	
insulation resistance	MΩ	≥ 5000@50 Vdc	
excitation recommended	V dc	10	
maximum excitation	V dc	15	
compensated temperature range	°C	-10 ~ +55	
operating temperature range	°C	-35 ~ +80	
safe overload	%FS	150	
ultimate overload	%FS	200	
cable length	m, shielded PVC cable	13(10~20 t); 18(30~50 t). Φ 6.3 mm 4-wire	

The listed specifications are subject to change without prior notice.

**How to order:** model - capacity - output - accuracy - IP rating - cable length - customer specific requests  
**ordering code** example: 1496 - 30t - 2mV/V - 0.03%fso - IP 67 - 18m - no specific requests



**BCM SENSOR TECHNOLOGIES BVBA**

ISO9001 Certified Company

Industriepark, Brechtsebaan 2  
 B-2900 Schoten - Antwerpen, BELGIUM

Tel.: +32-3-238 6469  
 Fax: +32-3-238 4171

website: [www.bcmsensor.com](http://www.bcmsensor.com)  
 email: [sales@bcmsensor.com](mailto:sales@bcmsensor.com)