

Model 157T Silicon Capacitive Differential Pressure Transmitters



Made from BCM 157M silicon capacitive differential pressure modules, model 157T silicon capacitive differential pressure transmitters are in mass production. With the characteristics of all stainless steel housing, 316L isolating diaphragm and standard assembly ports, the 157T differential pressure transmitters are reliability at measuring the differential pressure of liquids and gases, widely used in oil chemical industry and gases areas.

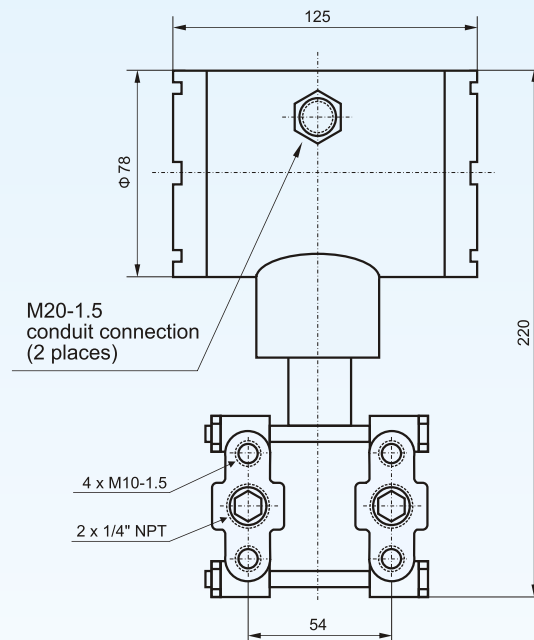
The 157T differential pressure transmitters have amplified output signal of 4~20 mA, with option of HART protocol and field display meter. The measuring range of 157T transmitter is from 0~1 kPa to 0~500 kPa, with the high accuracy up to 0.075%FSO (FSO = Full Scale Output); while the system line pressure measurement up to 100 bar, with the low line pressure effect down to 0.075%FSO; and the wide temperature measurement of -40~+85°C.



Features:

- pressure ranges: 0~1, ..., 0~500 kPa
- output signal: 4~20 mA, with option of HART protocol
- accuracy(NL): 0.075%fso, 0.1%fso (standard), 0.25 %fso
- materials: 316L (isolating diaphragm); 316 SS (flanges)
- construction: rigid, welded encapsulation
- explosive-proof: Exd II CT6
- operating temperature ranges: -40 ~ +85°C
- protection class: IP 66

Dimensions:



BCM SENSOR TECHNOLOGIES BVBA

Model 157T Silicon Capacitive Differential Pressure Transmitters



Specifications:

pressure media		gases or dilute-liquids, including the oil chemical media, which are compatible to the diaphragm and flange materials.		
pressure ranges & type	kPa,D	0~1	0~6	0~32, 0~130, 0~500
overload pressure	bar	32	32, 100	100
system pressure	bar	32	32, 100	100
output signal		4~20 mA (2-wires), option: HART protocol		
supply voltage	V dc	24 (typical), 12~32 (acceptable)		
load resistance	Ω	250~1000 (corresponding to 12~32 Vdc supply voltage)		
combined error	%fso	0.1; 0.25 (standard)		0.075; 0.1, 0.25 (standard)
system pressure effect	%fso	0.25%/10 bar; (max. 32 bar)	0.1%/32 bar; 0.075%/100 bar; 0.1%/100 bar; 0.25%/100 bar	0.075%/100 bar; 0.1%/100 bar; 0.25%/100 bar
temperature coefficient of ZERO	%fso/10°C	0,1; 0.25 (standard)		0,05; 0.1(standard)
temperature coefficient of SPAN	%fso/10°C	0,1; 0.25 (standard)		0,05; 0.1(standard)
long-term stability	%fso/year	0.1; 0.2 (standard)		
fatigue life per circle	circle	10 ⁸		
compensated temperature range	°C	0 ~ 70		
media temperature range	°C	-40 ~ +85		
storage temperature range	°C	-40 ~ +90		
explosive-proof		Exd II CT6		
protection class		IP 66		
process connection		1/4" NPT (female thread)		
process connection materials		316L (diaphragm), 316 SS (flanges)		
display meter		analogue, digital or no meter		
insulation resistance	M Ω	100 @ 100 Vdc		
electrical connection		M20x1.5 (standard), 1/2 NPT; inner thread		

The listed specifications are subject to change without prior notice.

How to order:

model - range - output(with HART or No) - accuracy - system pressure & effect - process connection -
electric connection - display meter - no specific requests

ordering code example: 157T - 0~6 kPa - 4~20 mA, with HART - 0.25%fso - 32 bar, 0.1%fso - 1/4 NPT -
M20x1.5 - need digital meter - no specific requests

BCM SENSOR TECHNOLOGIES BVBA