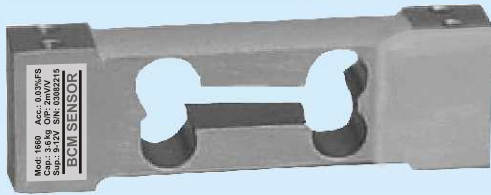


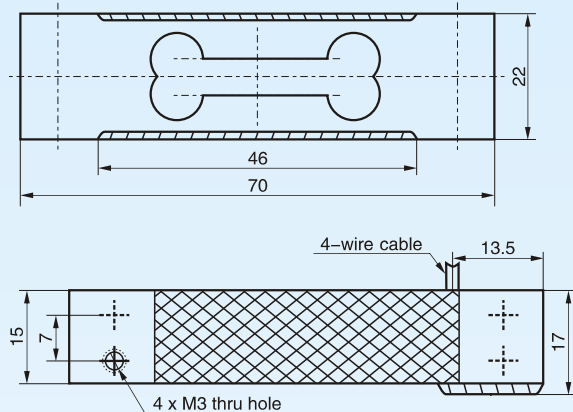
Model 1660 Single Point Load Cells



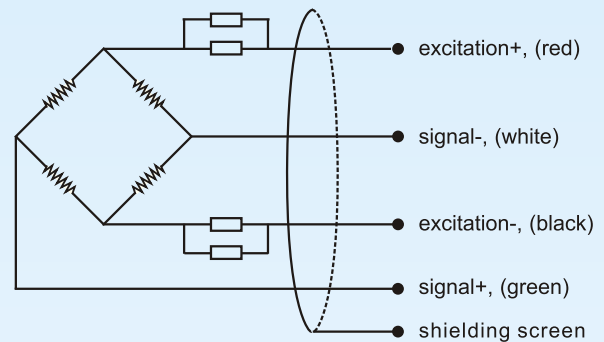
type: single point (off center) load cell
material: aluminum alloy
surface: anodized treatment
protection: IP 65
application: retail, bench and counting scales

Suggested platform size: 200mm x 200mm

Dimensions:



Electrical connection:



Specifications:

capacity	kg	0.65, 1, 2, 3, 5, 6
rated output	mV/V	2.0 ± 0.2
accuracy	%FSO	± 0.03
zero unbalance	%FSO	± 1.0
non-linearity	%FSO	± 0.03
hysteresis	%FSO	± 0.03
repeatability	%FSO	± 0.02
creep	%FSO/30min	± 0.03
temperature coefficient of SPAN	%FSO/10°C	0.02
temperature coefficient of ZERO	%FSO/10°C	0.03
input resistance	Ω	390 ± 20
output resistance	Ω	350 ± 10
insulation resistance	MΩ	≥ 5000@50 VDC
excitation voltage	V	9~12 DC/AC
maximum excitation	V	5~15 DC/AC
compensated temperature range	°C	-10 ~ +40
operating temperature range	°C	-35 ~ +65
safe overload	%FS	120
ultimate overload	%FS	150
cable length	m, shielded PVC cable	0.2 (Φ3 mm 4-wire)

The listed specifications are subject to change without prior notice.

How to order: model - capacity - output - accuracy - IP rating - cable length - customer specific requests
ordering code example: 1660 - 2kg - 2mV/V - 0.03%fso - IP 65 - 0.2m - no specific requests

BCM SENSOR TECHNOLOGIES BVBA