

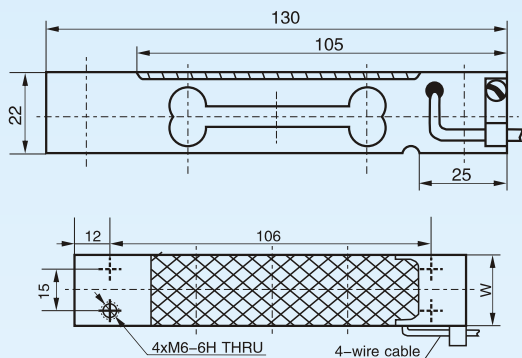
Model 1661(I) Narrow Version of 1661



Suggested platform size: 350mm x 350mm

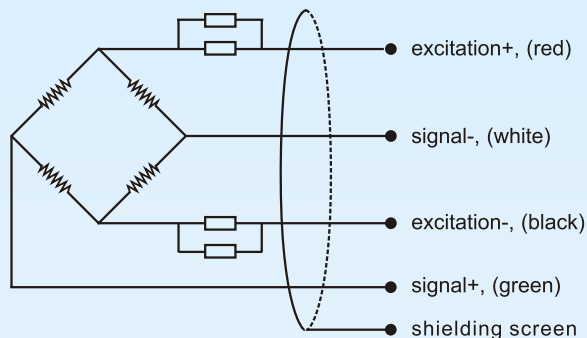
type: single point (off center) load cell
 material: aluminum alloy
 surface: anodized treatment
 protection: IP 65
 application: retail, bench and counting scales

Dimensions:



Capacity(kg)	3, 5	8-30
Size(mm)	W	25.4 30

Electrical connection:



Specifications:

capacity	kg	3, 5, 10, 20, 30
rated output	mV/V	2.0 ± 0.2
accuracy	%FSO	± 0.02
zero unbalance	%FSO	± 1.0
non-linearity	%FSO	± 0.02
hysteresis	%FSO	± 0.02
repeatability	%FSO	± 0.02
creep	%FSO/30min	± 0.02
temperature coefficient of SPAN	%FSO/10°C	0.02
temperature coefficient of ZERO	%FSO/10°C	0.03
input resistance	Ω	410 ± 10
output resistance	Ω	350 ± 10
insulation resistance	MΩ	≥ 5000@50 VDC
excitation voltage	V	9~12 DC/AC
maximum excitation	V	18 DC/AC
compensated temperature range	°C	-10 ~ +40
operating temperature range	°C	-20 ~ +65
safe overload	%FS	120
ultimate overload	%FS	150
cable length	mm, shielded PVC cable	350 (Φ4.2 mm 4-wire)

The listed specifications are subject to change without prior notice.

How to order: model - capacity - output - accuracy - IP rating - cable length - customer specific requests
ordering code example: 1661(I) - 20kg - 2mV/V - 0.02%fso - IP 65 - 350 mm - no specific requests

BCM SENSOR TECHNOLOGIES BVBA