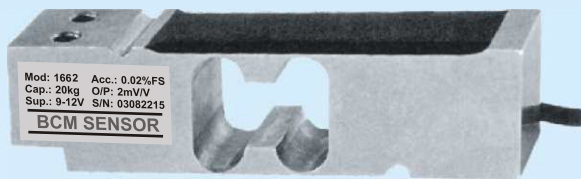


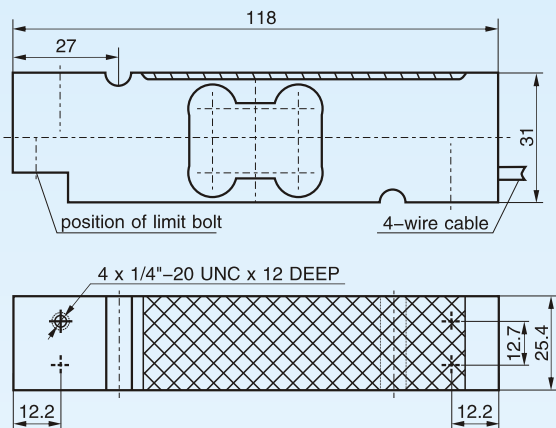
Model 1662 Single Point Load Cells



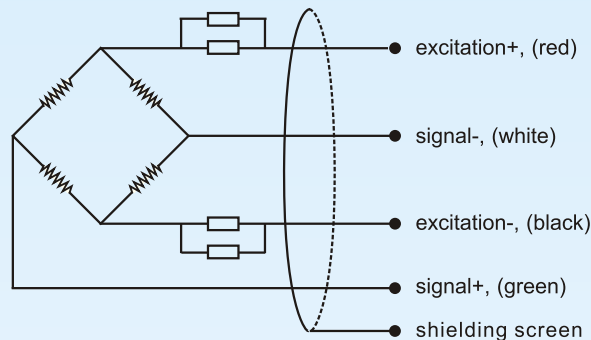
type: single point (off center) load cell
material: aluminum alloy
surface: anodized treatment
protection: IP 65
application: retail, bench and counting scales

Suggested platform size: 250mm x 350mm

Dimensions:



Electrical connection:



Specifications:

| | | |
|---------------------------------|------------------------|--------------------|
| capacity | kg | 3, 5, 10, 20, 30 |
| rated output | mV/V | 2.0 ± 0.2 |
| accuracy | %FSO | ± 0.02 |
| zero unbalance | %FSO | ± 1.0 |
| non-linearity | %FSO | ± 0.02 |
| hysteresis | %FSO | ± 0.02 |
| repeatability | %FSO | ± 0.02 |
| creep | %FSO/30min | ± 0.02 |
| temperature coefficient of SPAN | %FSO/10°C | 0.02 |
| temperature coefficient of ZERO | %FSO/10°C | 0.03 |
| input resistance | Ω | 410 ± 10 |
| output resistance | Ω | 350 ± 10 |
| insulation resistance | MΩ | ≥ 5000@50 VDC |
| excitation voltage | V | 9~12 DC/AC |
| maximum excitation | V | 6~18 DC/AC |
| compensated temperature range | °C | -10 ~ +40 |
| operating temperature range | °C | -20 ~ +65 |
| safe overload | %FS | 120 |
| ultimate overload | %FS | 150 |
| cable length | mm, shielded PVC cable | 380 (Φ5 mm 4-wire) |

The listed specifications are subject to change without prior notice.

How to order: model - capacity - output - accuracy - IP rating - cable length - customer specific requests
ordering code example: 1662 - 20kg - 2mV/V - 0.02%fso - IP 65 - 380mm - no specific requests

BCM SENSOR TECHNOLOGIES BVBA