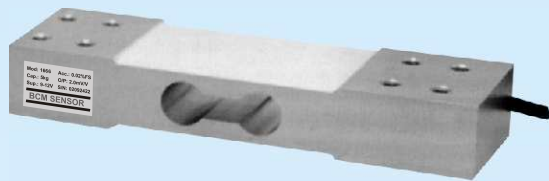


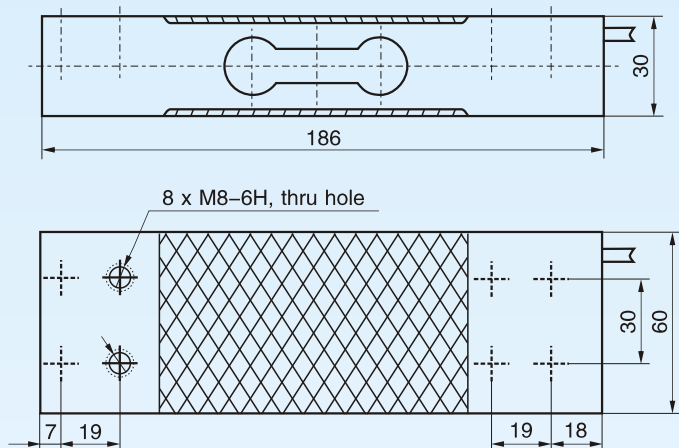
# Model 1666 Heavy Duty Load cell



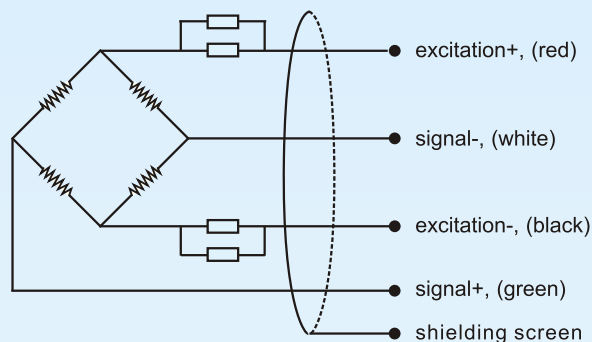
Suggested platform size: 450mm x 450mm

type: single point (off center) load cell  
 material: aluminum alloy  
 surface: anodized treatment  
 protection: IP 65  
 application: retail, bench and counting scales

## Dimensions:



## Electrical connection:



## Specifications:

capacity	kg	50, 100, 200, 300, 500
rated output	mV/V	2.0 ± 0.1
accuracy	%FSO	± 0.02
zero unbalance	%FSO	± 1.0
non-linearity	%FSO	± 0.02
hysteresis	%FSO	± 0.02
repeatability	%FSO	± 0.02
creep	%FSO/30min	± 0.02
temperature coefficient of SPAN	%FSO/10°C	0.03
temperature coefficient of ZERO	%FSO/10°C	0.03
input resistance	Ω	400 ± 10
output resistance	Ω	350 ± 10
insulation resistance	MΩ	≥ 5000@50 VDC
excitation voltage	V	9~12 DC/AC
maximum excitation	V	18 DC/AC
compensated temperature range	°C	-10 ~ +40
operating temperature range	°C	-20 ~ +65
safe overload	%FS	120
ultimate overload	%FS	150
cable length	m, shielded PVC cable	0.45 (Φ3.8 mm 4-wire)

The listed specifications are subject to change without prior notice.

**How to order:** model - capacity - output - accuracy - IP rating - cable length - customer specific requests  
**ordering code** example: 1666 - 200kg - 2mV/V - 0.02%fso - IP 65 - 0.45m - no specific requests

**BCM SENSOR TECHNOLOGIES BVBA**