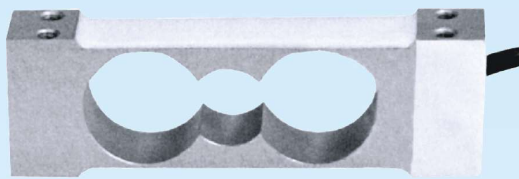


# Model 1668(S)

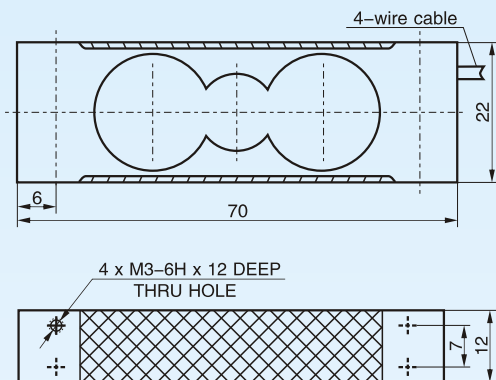
## Short Version of 1668 for Balance Application



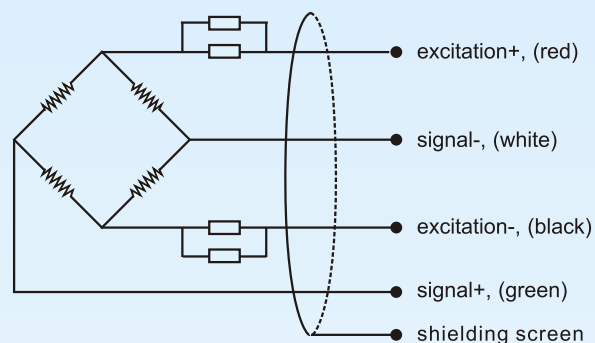
**type:** single point (off center) load cell  
**material:** aluminum alloy  
**surface:** anodized treatment  
**protection:** IP 65  
**application:** counting scales and balances

**Suggested platform size: 200mm x 200mm**

### Dimensions:



### Electrical connection:



### Specifications:

capacity	kg	0.3, 0.5, 1, 2, 3
rated output	mV/V	1.0 ± 0.1
accuracy	%FSO	± 0.02
zero unbalance	%FSO	± 1.0
non-linearity	%FSO	± 0.02
hysteresis	%FSO	± 0.02
repeatability	%FSO	± 0.02
creep	%FSO/30min	± 0.02
temperature coefficient of SPAN	%FSO/10°C	0.03
temperature coefficient of ZERO	%FSO/10°C	0.03
input resistance	Ω	400 ± 10
output resistance	Ω	350 ± 10
insulation resistance	MΩ	≥ 5000@50 VDC
excitation voltage	V	9~12 DC/AC
maximum excitation	V	18 DC/AC
compensated temperature range	°C	-10 ~ +40
operating temperature range	°C	-20 ~ +65
safe overload	%FS	120
ultimate overload	%FS	150
cable length	m, shielded PVC cable	0.45 (Φ3.8 mm 4-wire)

The listed specifications are subject to change without prior notice.

**How to order:** model - capacity - output - accuracy - IP rating - cable length - customer specific requests  
**ordering code** example: 1668(S) - 1kg - 1mV/V - 0.02%fso - IP 65 - 0.45m - no specific requests

## BCM SENSOR TECHNOLOGIES BVBA