

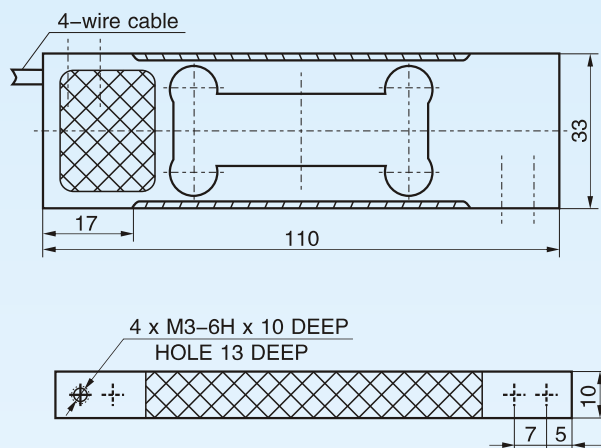
Model 1668 Single Point Load Cells



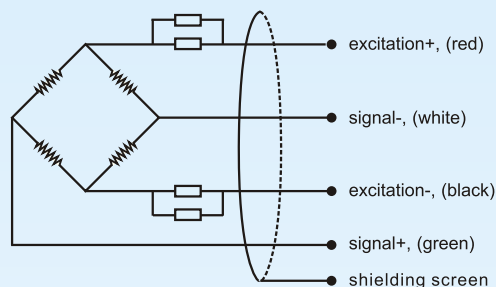
Suggested platform size: 200mm x 200mm

type: single point (off center) load cell
material: aluminum alloy
surface: anodized treatment
protection: IP 65
application: counting scales and balances

Dimensions:



Electrical connection:



Specifications:

capacity	kg	0.2, 0.3, 0.5, 1, 2, 3
rated output	mV/V	0.9 ± 0.1
accuracy	%FSO	± 0.02
zero unbalance	%FSO	± 2.0
non-linearity	%FSO	± 0.02
hysteresis	%FSO	± 0.02
repeatability	%FSO	± 0.02
creep	%FSO/30min	± 0.02
temperature coefficient of SPAN	%FSO/10°C	0.03
temperature coefficient of ZERO	%FSO/10°C	0.03
input resistance	Ω	400 ± 10
output resistance	Ω	350 ± 10
insulation resistance	MΩ	≥ 5000@50 VDC
excitation voltage	V	9-12 DC/AC
maximum excitation	V	18 DC/AC
compensated temperature range	°C	-10 ~ +40
operating temperature range	°C	-20 ~ +65
safe overload	%FS	120
ultimate overload	%FS	150
cable length	m, shielded PVC cable	0.45 (Φ3.8 mm 4-wire)

The listed specifications are subject to change without prior notice.

How to order: model - capacity - output - accuracy - IP rating - cable length - customer specific requests
ordering code example: 1668 - 0.6kg - 0.9mV/V - 0.02%fso - IP 65 - 0.45m - no specific requests

BCM SENSOR TECHNOLOGIES BVBA