

# Model 225T Silicon Pressure Transmitters

Based on BCM pieze-resistive silicon technology, model 225T pressure transmitters are designed for process applications in oil and gas industry areas. The transmitters are made of all stainless steel as diaphragm and wetted parts, so the corrosive media can be measured by this kind of transmitters.

In order to measure different kinds of media, the connecting ports of 225T are manufactured to two kinds of thread in type or flush diaphragm. The thread in type is used for gases or dilute liquids, while flush diaphragm type is specially used for ropy fluid media or fluid media with grains.

The 225T pressure transmitter has amplified output signal of 4~20 mA, with option of HART protocol and field display meter. The measuring accuracy of this kind of transmitter can be up to 0.2%fso (fso = full scale output) in full measuring ranges of 0~1.5 kPa to 0~420 bar, while the media temperature range keep at -40 ~ +125 °C.



225T(type I): thread in type

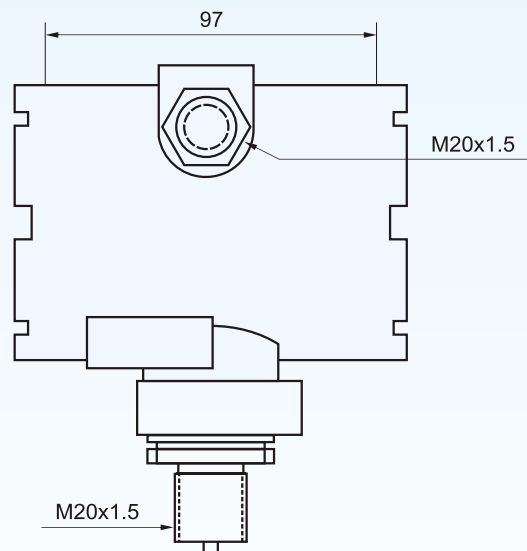
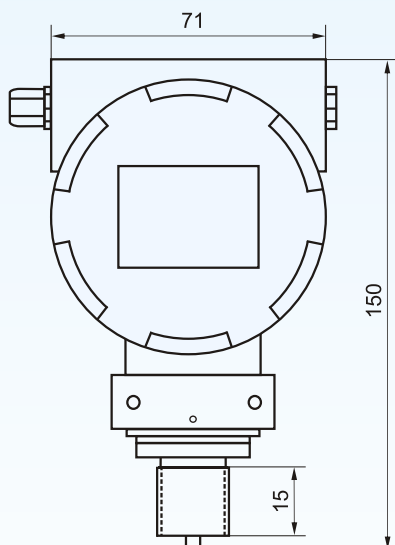
## Features:

- pressure ranges: 0~1.5 kPa, ..., 0~420 bar, G
- output signal: 4~20 mA, option: with HART protocol
- measuring accuracy: 0.2%fso, 0.5%fso (standard)
- media temperature ranges: -40 ~ +125 °C
- materials: 316 SS (pressure membrane and housing);  
option: 316L, Hastelloy-C
- explosive-proof: Exia II CT6
- protection class: IP 65



225T(type II): flush diaphragm type

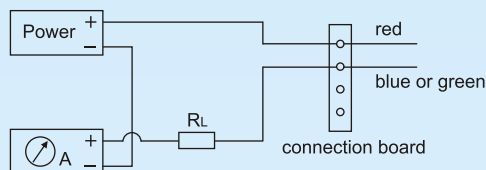
## Dimensions:



## BCM SENSOR TECHNOLOGIES BVBA

# Model 225T Silicon Pressure Transmitters

## Electric connection:



## Specifications:

|                                 |                 |  |
|---------------------------------|-----------------|--|
| pressure media                  | type I          | gases or dilute liquids, compatible to wetted parts            |
|                                 | type II         | viscous fluid or fluid with grains, compatible to wetted parts |
| measuring ranges & type         | kPa (G*, A)     | 0~1.5, 0~3, 0~5, 0~8, 0~15, 0~25, 0~40, 0~70                   |
|                                 | bar (G*, A)     | 0~1, 0~2, 0~3.5, 0~7, 0~10, 0~15, 0~25, 0~40, 0~70, 0~100      |
|                                 | barG            | 0~160, 0~250, 0~350, 0~420                                     |
| overload pressure               | %fs             | 200 (P ≥ 15 kPa); 300 (P ≤ 8 kPa)                              |
| output signal                   | %fso            | 4~20 mA (2-wire), option with HART protocol communication      |
| combined error (NL)             | %fso            | 0.2, 0.5 (standard)  |
| load resistance                 | Ω               | 250~1150   |
| insulation resistance           | MΩ              | > 500 @ 100 Vdc  |
| supply voltage                  | V               | 12~36  |
| temperature coefficient of ZERO | %fso/10°C       | 0.1  |
| temperature coefficient of SPAN | %fso/10°C       | 0.1  |
| long-term stability             | %fso/year       | 0.15   |
| compensated temperature range   | °C              | 0 ~ 70   |
| operating temperature range     | °C              | -20 ~ +80  |
| media temperature range         | °C              | -40 ~ +125   |
| storage temperature range       | °C              | -40 ~ +85  |
| explosive-proof                 | proof rating    | Exia II CT6  |
| protection class                | IP rating       | IP 65  |
| process connection              | type (I)        | M20x1.5 (standard), 1/2 NPT, G1/2                              |
|                                 | type (II)       | G1/2   |
|                                 | materials       | 316 SS, 316L, Hastelloy-C                                      |
| electrical connection           | internal thread | M20x1.5 (standard), 1/2 NPT                                    |
| field display                   | display meter   | analogue, digital or no  |
| weight                          | kg              | 1.2  |

\*: Negative pressure measurement is available on requests for gauge pressure, negative range is half of the pressure range, but not over -1 bar. for example: range of 0~70 kPaG need to be used at -35 ~ +70 kPaG.

The listed specifications are subject to change without prior notice.

## How to order:

model - range & type - output, with HART or No - accuracy - pressure connection & materias - electric connection - field display - customer specific requests

**ordering code** example: 225T(I) - 0~10 barG - 4~20 mA, with HART - 0.5%fso - G1/2, 316L - M20x1.5 - digital meter - no specific requests

## BCM SENSOR TECHNOLOGIES BVBA