

# Model 3417/3497 Shear-beam Load Cells

Based on BCM advanced metal foil strain gauges technology, model 3417/3497 load cells are made of shear-beam working principle in low profile dimensions. These load cells are widely used in applications of platform-scales, hopper-scales weighing systems, or some areas need to measure beam bending loads.

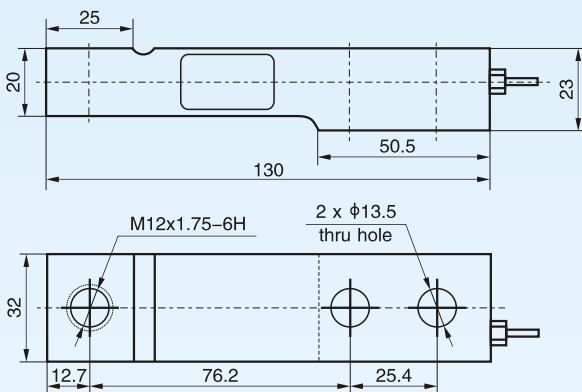
Model 3417/3497 load cells feature simple construction, excellent performance, easy installation and replacement. Thanks to BCM leading technology in sealing, these 34-series load cells can be made to a higher protection grade IP68, and fit to harsh industrial conditions.



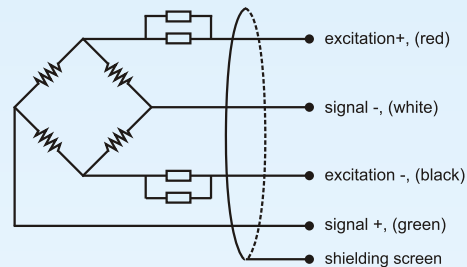
**type:** single ended shear beam load cell  
**material:** alloy steel (3417) / stainless steel (3497)  
**surface:** nickel plated treatment (for 3417 only)  
**protection:** IP 66, IP 67, or IP 68  
**application:** hopper scales and platform scales  
**construction:** low-profile, high precision

## Dimensions:

**optional fitting**



## Electrical connection:



## Specifications:

capacity	t	0.25, 0.5, 1, 2
rated output	mV/V	2.0 ± 0.02
accuracy	%FSO	± 0.02
zero unbalance	%FSO	± 1.0
non-linearity	%FSO	± 0.02
hysteresis	%FSO	± 0.02
repeatability	%FSO	± 0.02
creep	%FSO/30min	± 0.02
temperature coefficient of SPAN	%FSO/10°C	0.02
temperature coefficient of ZERO	%FSO/10°C	0.035
input resistance	Ω	360 ± 10
output resistance	Ω	350 ± 10
insulation resistance	MΩ	≥ 5000@50 VDC
excitation recommended	V	10 DC/AC
maximum excitation	V	15 DC/AC
compensated temperature range	°C	-10 ~ +55
operating temperature range	°C	-35 ~ +80
safe overload	%FS	150
ultimate overload	%FS	200
cable length	m, shield PVC cable	3.5 (Φ 5.7 mm 4-wire)

The listed specifications are subject to change without prior notice.

**How to order:** model - capacity - output - accuracy - IP rating - cable length - fitting - customer specific requests

**ordering code** example: 3417 - 1t - 2mV/V - 0.02%fs0 - IP 67 - 3.5m - need fitting - no specific requests

**BCM SENSOR TECHNOLOGIES BVBA**