

Model 3418/3498 Shear-beam Load Cells

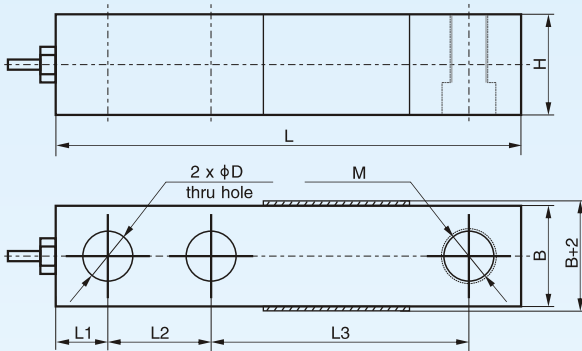
Based on BCM advanced metal foil strain gauges technology, model 3418/3498 load cells are made of shear-beam working principle. These load cells are widely used in applications of platform-scales, hopper-scales weighing systems, or some areas need to measure beam bending loads.

Model 3418/3498 load cells feature simple construction, excellent performance, easy installation and replacement. Thanks to BCM leading technology in sealing, these 34-series load cells can be made to a higher protection grade IP68, and fit to harsh industrial conditions.



optional fitting

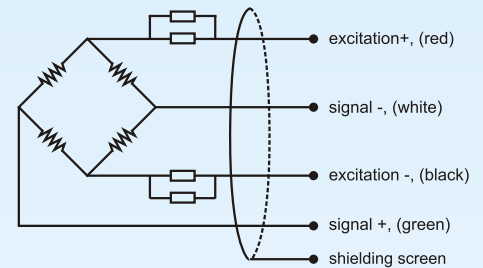
Dimensions:



(cover plate is made to circle plate for 3498)

type: single ended shear beam load cell
material: alloy steel (3418) / stainless steel (3498)
surface: nickel plated treatment (for 3418 only)
protection: IP 66, IP 67; IP 68 (option for 3498)
application: hopper scales and platform scales
certificate: OIML C3 (option for 3418 only)

Electrical connection:



capacity (t)	L	L1	L2	L3	H	B	D	M
0.5-2	130.0	15.8	25.4	76.2	31.8	31.8	13.5	M12 x 1.75
2.5-5	171.5	19.1	38.1	95.3	38.1	38.1	19.8	M18 x 1.5
10	222.3	25.4	50.8	120.7	50.8	50.8	26.9	M24 x 2

Specifications:

capacity	t	0.5, 1, 1.5, 2, 2.5, 3, 5, 10
rated output	mV/V	3.0 ± 0.03
accuracy	%FSO	± 0.02
zero unbalance	%FSO	± 1.0
non-linearity	%FSO	± 0.02
hysteresis	%FSO	± 0.02
repeatability	%FSO	± 0.01
creep	%FSO/30min	± 0.02
temperature coefficient of SPAN	%FSO/10°C	0.02
temperature coefficient of ZERO	%FSO/10°C	0.02
input resistance	Ω	360 ± 10
output resistance	Ω	350 ± 10
insulation resistance	MΩ	≥ 5000@50 VDC
excitation recommended	V	10 DC/AC
maximum excitation	V	15 DC/AC
compensated temperature range	°C	-10 ~ +55
operating temperature range	°C	-35 ~ +80
safe overload	%FS	150
ultimate overload	%FS	200
cable length	m, shield PVC cable	4 (Φ 5 mm 4-wire)

The listed specifications are subject to change without prior notice.

How to order: model - capacity - output - accuracy - IP rating - cable length - fitting - customer specific requests
ordering code example: 3418 - 2t - 3mV/V - OIML C3 - IP 67 - 4m - need fitting - no specific requests

BCM SENSOR TECHNOLOGIES BVBA