

# Model 3468A Shear-beam Load Cells

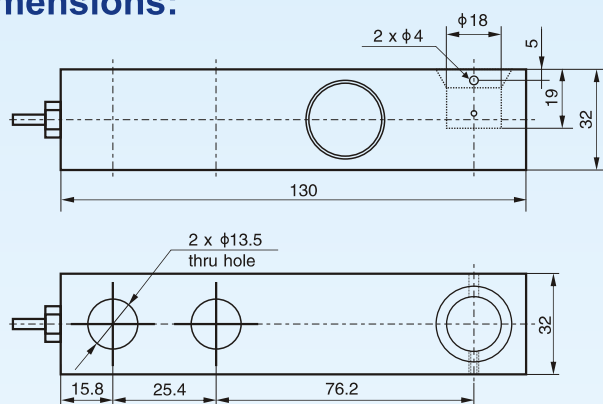
Based on BCM advanced metal foil strain gauges technology, model 3468A load cells are made of shear-beam working principle in low cost applications with compression nut attached. These load cells are widely used in applications of platform-scales, hopper-scales weighing systems, or some areas need to measure beam bending loads.

Model 3468A load cells feature simple construction, excellent performance, easy installation and replacement. Thanks to BCM leading technology in sealing, these 34-series load cells can be made to a higher protection grade IP66, and fit to harsh industrial conditions.

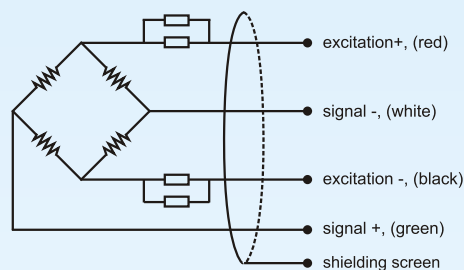


**type:** single ended shear beam load cell  
**material:** aluminum alloy  
**surface:** anodized treatment  
**protection:** IP 66  
**application:** hopper scales and platform scales  
in low cost, high precision

## Dimensions:



## Electrical connection:



## Specifications:

capacity	kg	100, 200, 300, 500, 1000
rated output	mV/V	2.0 ± 0.02
accuracy	%FSO	± 0.03
zero unbalance	%FSO	± 1.0
non-linearity	%FSO	± 0.03
hysteresis	%FSO	± 0.02
repeatability	%FSO	± 0.01
creep	%FSO/30min	± 0.02
temperature coefficient of SPAN	%FSO/10°C	0.02
temperature coefficient of ZERO	%FSO/10°C	0.03
input resistance	Ω	390 ± 10
output resistance	Ω	350 ± 10
insulation resistance	MΩ	≥ 5000@50 VDC
excitation recommended	V	10 DC/AC
maximum excitation	V	15 DC/AC
compensated temperature range	°C	-10 ~ +55
operating temperature range	°C	-35 ~ +80
safe overload	%FS	150
ultimate overload	%FS	200
cable length	m, shield PVC cable	3.5 (Φ 5.7 mm 4-wire)

The listed specifications are subject to change without prior notice.

**How to order:** model - capacity - output - accuracy - IP rating - cable length - nut - customer specific requests  
**ordering code** example: 3468A - 200kg - 2mV/V - 0.03%fso - IP 66 - 3.5m - need nut - no specific requests

**BCM SENSOR TECHNOLOGIES BVBA**