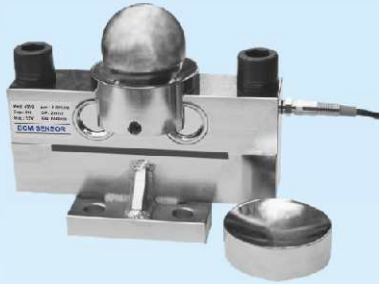
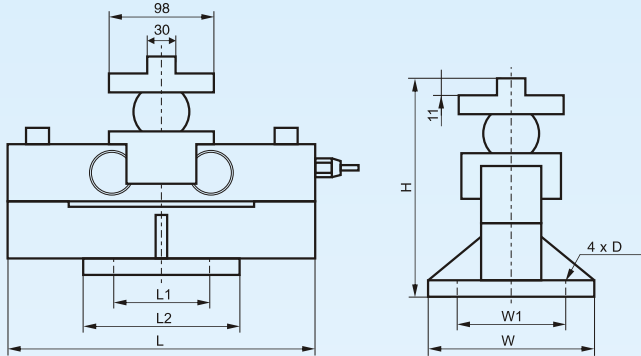


# Model 4510/4590 Beam-type Load Cells



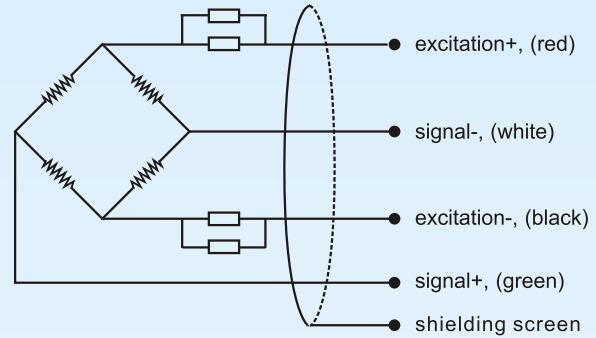
**type:** double-ended shear beam load cell  
**material:** alloy steel (4510) / stainless steel (4590)  
**surface:** nickel plated treatment (4510 only)  
**protection:** IP 66, IP 67 or IP 68 (laser welded sealing)  
**application:** catalyst vessels, batching plant and truck weighers

## Dimensions:



cap. (t)	L1	L2	L	W1	W	H	D
10~40	80	125	240	100	135	225	18
50	124	160	340	124	160	262	21

## Electrical connection:



## Specifications:

capacity	t	10, 20, 30, 40, 50	
rated output	mV/V	2.0 ± 0.004	
accuracy	%FSO	± 0.02	± 0.03
zero unbalance	%FSO	± 1	
non-linearity	%FSO	± 0.02	± 0.03
hysteresis	%FSO	± 0.02	± 0.03
repeatability	%FSO	± 0.02	± 0.02
creep	%FSO/30 min	± 0.02	± 0.03
temperature coefficient of SPAN	%FSO/10°C	0.02	0.05
temperature coefficient of ZERO	%FSO/10°C	0.02	0.3
input resistance	Ω	730 ± 10	2050 ± 10
output resistance	Ω	700 ± 10	2000 ± 10
insulation resistance	M Ω	≥ 5000 @ 50 VDC	
excitation voltage	V	12 DC/AC	
maximum excitation	V	18 DC/AC	
compensated temperature range	°C	-10 ~ +55	
operating temperature range	°C	-35 ~ +80 (option: -35 ~ +150)	
safe overload	%FS	150	
ultimate overload	%FS	300	
cable length	m, shielded PVC cable	13 (Φ6.3 mm 4-wire)	

The listed specifications are subject to change without prior notice.

**How to order:** model - capacity - output - accuracy - IP rating - cable length - customer specific requests  
**ordering code** example: 4510 - 20t - 2mV/V - 0.02%fso - IP 68 - 13m - no specific requests

**BCM SENSOR TECHNOLOGIES BVBA**