

Model 6918(I)/6998(I) S-type Load Cells

Based on BCM advanced metal foil strain gauges technology, model 6918/6998 S-type load cells are made of S-beam working principle. These load cells are widely used in hanging-scales, hopper-scales, or some areas need to measure compression or tension forces in a line.

Model 6918(I)/6998(I) load cells feature simple construction, easy installation and replacement, and high accuracy up to 0.02%fso (fso = full scale output) at load ranges of 0.75~10t. Thanks to BCM leading technology in sealing, these 69-series load cells can be made to a higher protection grade IP 68, and fit to harsh industrial conditions.

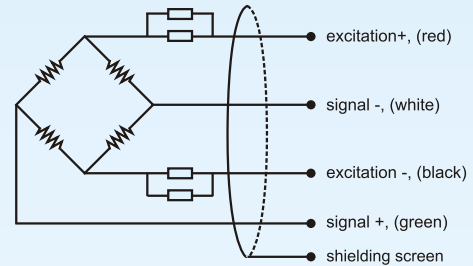


type: S-type load cell
material: alloy steel [6918(I)], stainless steel [6998(I)]
surface: nickel plated treatment [6918(I) only]
protection: IP 66, IP 67, or IP 68 [6998(I) only]
application: hanging- and hopper-scales

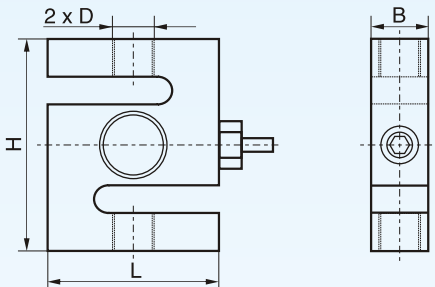


option: a pair of fittings

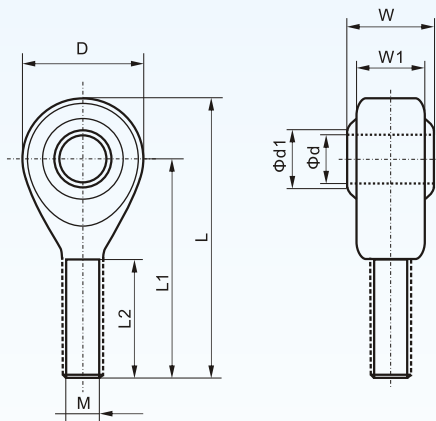
Electrical connection:



Dimensions:



Capacity(t)	L	H	B	D
0.5, 0.75	50.8	76.2	19.1	M12 x 1.75
1	50.8	76.2	25.4	M12 x 1.75
1.5	50.8	76.2	25.4	M16 x 1.5
2, 3	76.2	108	31.8	M20 x 1.5
5	76.2	108	37	M24 x 2
7.5	100	139.7	37	M24 x 2
10	177.8	125.5	50.8	M30 x 2



M	d	d1	L	L1	L2	D	W	W1
M12x1.75	12	15.4	70	54	33	32	16	12
M16x2	16	19.3	87	66	40	42	21	15
M20x1.5	20	24.3	103	78	47	50	25	18
M24x2	25	29.6	124	94	58	60	31	22
M30x2	30	34.8	145	110	71	70	37	25

BCM SENSOR TECHNOLOGIES BVBA

Model 6918(I)/6998(I) S-type Load Cells



Specifications:

capacity	t	0.5, 0.75, 1, 2, 3, 5, 10
rated output	mV/V	2.0 ± 0.004; 3.0 ± 0.004
accuracy	%FSO	± 0.02
zero unbalance	%FSO	± 1.0
non-linearity	%FSO	± 0.02
hysteresis	%FSO	± 0.02
repeatability	%FSO	± 0.01
creep	%FSO/30min	± 0.02
temperature coefficient of SPAN	%FSO/10°C	0.02
temperature coefficient of ZERO	%FSO/10°C	0.03
input resistance	Ω	360 ± 10
output resistance	Ω	350 ± 10
insulation resistance	MΩ	≥ 5000@50 Vdc
excitation recommended	V dc	10
maximum excitation	V dc	15
compensated temperature range	°C	-10 ~ +55
operating temperature range	°C	-35 ~ +80
safe overload	%FS	150
ultimate overload	%FS	200
cable length	m, shielded PVC cable	3.5(0.75~2 t); 6(3~10 t). Φ 5.7 mm 4-wire

The listed specifications are subject to change without prior notice.

How to order: model - capacity - output - accuracy - IP rating - cable length - fittings - customer specific requests
ordering code example: 6998 - 2t - 3.0mV/V - 0.02%fso - IP 68 - 3.5m - need fittings- no specific requests

BCM SENSOR TECHNOLOGIES BVBA

Industriepark, Brechtsebaan 2
B-2900 Schoten - Antwerpen, BELGIUM

Tel.: +32-3-238 6469
Fax: +32-3-238 4171

website: www.bcmsensor.com
email: sales@bcmsensor.com