

Model LV38 Hydraulic Level Transmitters for Flange Installation

Based on BCM piezoresistive technology, model LV38 hydraulic level transmitters are designed for gauge pressure (relative pressure) application in hydraulic level measurement, Made from flange process connection, the transmitter can be used for viscous and corrosive fluid media or fluid media with grains, especially for oil chemical industry applications.

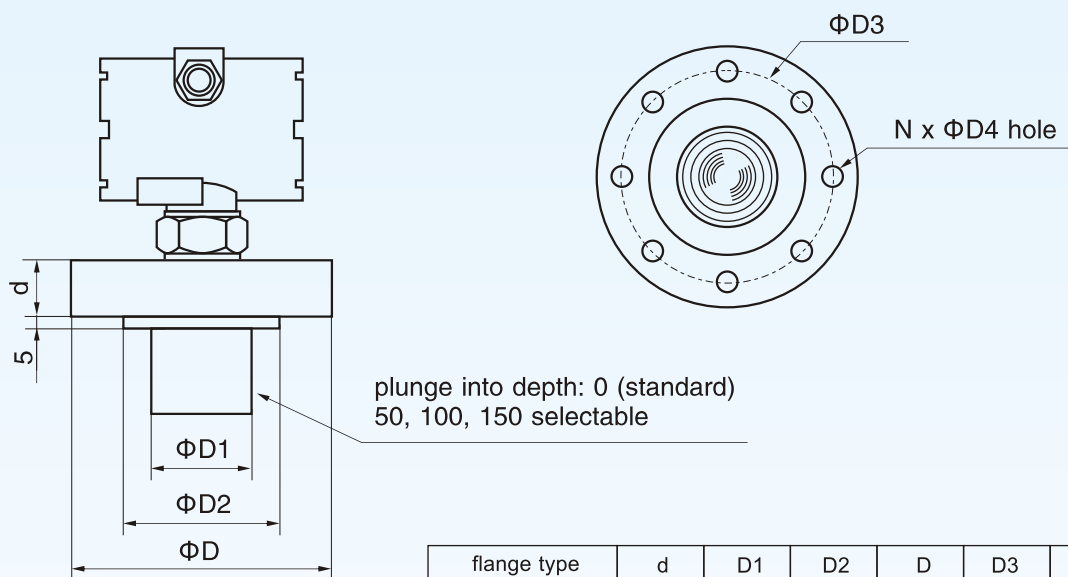
The LV38 hydraulic level transmitter has amplified output signal of 4~20 mA, option with HART protocol and field display meter. The measuring accuracy of this kind of level transmitter can be up to 0.2%fso (fso =full scale output) in full measuring ranges of 0~0.6 to 0~250 mH₂O, while the media temperature range at -40 ~ +125 °C.



Features:

- measuring ranges: 0~0.6, ..., 0~250 mH₂O
- media temperature range: -40 ~ +125 °C
- output signal: 4~20 mA,
option with HART protocol, field display meter
- measuring accuracy: 0.2%fso, 0.5%fso (standard)
- flange material: 316 SS
option: 316L, hastelloy-C
- construction: integrated construction, rigid and robust
- explosive-proof: Exia II CT6
- protection class: IP 65

Dimensions of Flange:



flange type	d	D1	D2	D	D3	D4	N
type 1	30	66	127	190	152	19	4
type 2	30	89	157	228	190	19	8
type 3	35	66	127	210	168	22	8
type 4	38	89	157	254	200	22	8

BCM SENSOR TECHNOLOGIES BVBA

Model LV38 Hydraulic Level Transmitters for Flange Installation



Specifications:

measuring range & type	mH ₂ O	0~0.6, 0~1, 0~2, 0~5, 0~10, 0~20, 0~50, 0~100, 0~200, 0~250
overload	%fs	200 (ranges ≥ 2 m); 300 (ranges < 2 m)
output signal	current	4~20 mA (2-wire), option with HART protocol communication
combined error	%fso	0.2, 0.5 (standard)
load resistance	Ω	250~1150
insulation resistance	MΩ	> 500 @ 100 Vdc
supply voltage	V	12~36
temperature coefficient of ZERO	%fso/10°C	0.1
temperature coefficient of SPAN	%fso/10°C	0.1
long-term stability	%fso/year	0.15
compensated temperature range	°C	0 ~ 70
operating temperature range	°C	-20 ~ +80
media temperature range	°C	-40 ~ +125
storage temperature range	°C	-40 ~ +85
explosive-proof	proof rating	Exia II CT6
environment protection	IP rating	IP 65
process connection	flange type	flange type1, type2, type3, type4; or customer requested
	materials	316 SS, 316L, Hastelloy-C
electrical connection	internal thread	M20x1.5 (standard), 1/2 NPT
field display	display meter	analogue, digital or no
weight	kg	2.2

The listed specifications are subject to change without prior notice.

How to order:

model - range - output, with HART or No - accuracy - flange type & material, depth - field display
- electric connection - customer specific requests

ordering code example: LV38 - 0~10 mH₂O - 4~20 mA, with HART - 0.5%fso - flange type1, 316L, 50mm -
digital display meter - M20x1.5 - no specific requests

BCM SENSOR TECHNOLOGIES BVBA