

# QUADRO-PROX®

Inductive proximity switch for DC – type QSx20



Type 1

Type 2

The Quadro-prox is an inductive proximity switch for detection of a metal target entering the operating zone.

It has a round sensing head that is much shorter than 'barrel' type sensors. It is mounted in a compact square polycarbonate or metal housing with a well secured cable running at right angles to the sensing beam.

The Quadro-prox is equipped with a clearly visible status led.

Thanks to its right-angled sides, it has a very high rigidity. The vulnerable electronics is mounted in a flexible filling compound. As a result, the switch is highly resilient to shock and vibration.

Electronically, the switch is identical to a barrel type switch.

## APPLICATIONS

Position detection of equipment components in

- piling rigs
- forklift trucks
- transportation vehicles
- etc.

Coin detection in gaming machines

## FEATURES

- Broad range of application areas
- Very compact
- Resilient to shock and vibration
- Visible status led
- Secure cable entry
- NO and NC version
- IP67

## Technical data (according to IEC 60947-5-2)

### Functional

Sensing distance ( $S_n$ )	9 mm	
Hysteresis	$\leq 5\% S_n$	
Repeatability	0,2 mm	
Normalized object	Fe360	
Reduction factors	Fe360	1,0 $S_n$
	Stainless Steel	0,7 $S_n$
	Brass	0,35 $S_n$
	Aluminium	0,25 $S_n$
	Copper	0,20 $S_n$



### Electronic

Power supply	10-30 Vdc
Power ripple	≤ 20%
Output	PNP or NPN
Output current	≤ 200 mA
	NO or NC
Current drain	≤ 2 mA
Voltage drop max.	2V (200 mA)
Switching frequency	≤ 1000 Hz

### 3-wire

### Environmental conditions

Temperature range	-25 to 70 °Celsius
Temperature drift of $S_n$	≤ 10%
Humidity	0 – 100% RH
Protection	IP67

### Mechanical

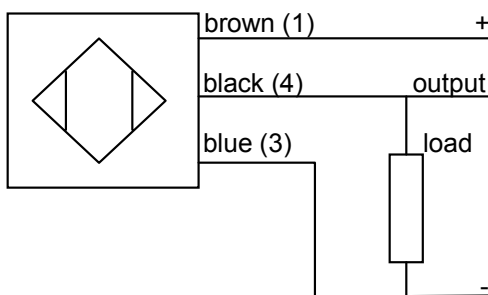
Material housing	Polycarbonate
------------------	---------------

### Connection

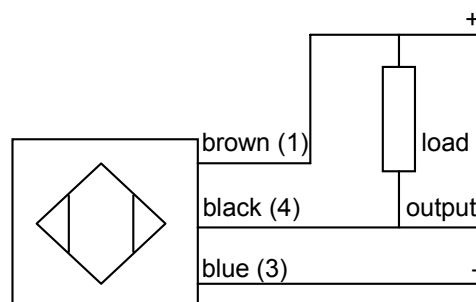
Cable	PVC 3*0,14 mm
Connector	Cable (connector M8 optional)

## Connection diagrams

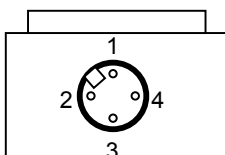
### PNP



### NPN



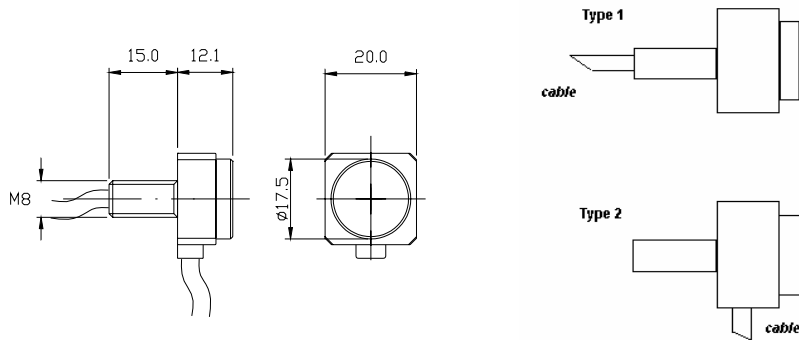
### Connector pinout



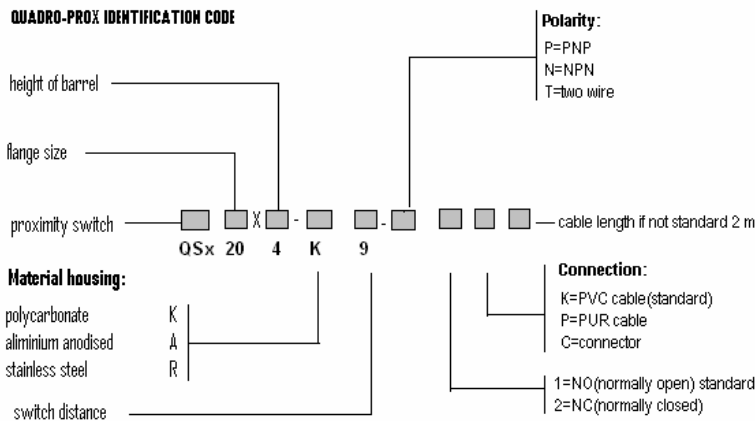
- 1: Power +
- 2: NC
- 3: GND
- 4: Output



## Dimensions



## Ordering info



**Remark: For type 2: add an "H" at end of identification code**

Dewit Industrial Sensors bv - Oostergracht 40 – 3763 LZ Soest – P.O. Box 3334 – 3760 DH Soest – The Netherlands

Phone: +31(0)35 – 603 81 81 – Fax: +31(0)35 – 603 81 80 – E-mail: [Info@dis-sensors.nl](mailto:Info@dis-sensors.nl)

Internet: [www.dis-sensors.nl](http://www.dis-sensors.nl)

**GENERAL DISCLAIMER:** DIS reserves the right to make changes to its products and their specifications at any time, without prior notice to anyone. DIS has made every effort to ensure accuracy of the information contained herein but can assume no responsibility for inadvertent errors, omissions or subsequent changes. DIS does not assume any responsibility for the use of any circuit or other information described within this document, and further, makes no representations of any kind that the circuit and information described herein is the infringement of any intellectual property right or any other right of third parties. No express or implied licensees of any DIS intellectual property right is granted by implication or otherwise.



DEWIT INDUSTRIAL SENSORS