

QUADRO-PROX®

Inductive proximity switch for DC – type QX16



APPLICATIONS

Position detection of equipment components in

- piling rigs
- forklift trucks
- transportation vehicles
- etc.

Coin detection in gaming machines

FEATURES

- Broad range of application areas
- Very compact
- Resilient to shock and vibration
- Visible status led
- Secure cable entry
- NO and NC version
- IP67

The Quadro-prox is an inductive proximity switch for detection of a metal target entering the operating zone.

It has a round sensing head that is much shorter than 'barrel' type sensors. It is mounted in a compact square polycarbonate or metal housing with a well secured cable running at right angles to the sensing beam.

The Quadro-prox is equipped with a clearly visible status led.

Thanks to its right-angled sides, it has a very high rigidity. The vulnerable electronics is mounted in a flexible filling compound. As a result, the switch is highly resilient to shock and vibration.

Electronically, the switch is identical to a barrel type switch.

Technical data (according to IEC 60947-5-2)

Functional

Sensing distance (S_n)	2 mm	
Hysteresis	$\leq 5\% S_n$	
Repeatability	0,2 mm	
Normalized object	Fe360	
Reduction factors	Fe360	1,0 S_n
	Stainless Steel	0,7 S_n
	Brass	0,35 S_n
	Aluminium	0,25 S_n
	Copper	0,20 S_n



Electronic

Power supply	10-30 Vdc
Power ripple	≤ 20%
Output	PNP or NPN
Output current	≤ 60 mA
Current drain	NO or NC
Voltage drop max.	≤ 2 mA.
Switching frequency	2V (200 mA)
	≤ 1000 Hz

3-wire

Environmental conditions

Temperature range	-25 to 70 °Celsius
Temperature drift of S _n	≤ 10%
Humidity	0 – 100% RH
Protection	IP67

Mechanical

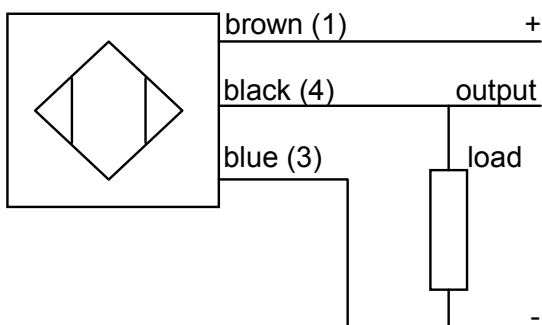
Material housing	Metal: Standard aluminium 51 ST anodised
------------------	--

Connection

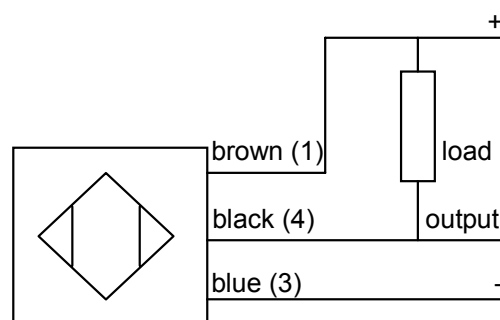
Cable	PVC 3*0,14 mm
Connector	M8 (optional)

Connection diagrams

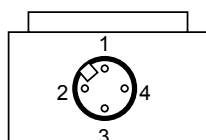
PNP



NPN



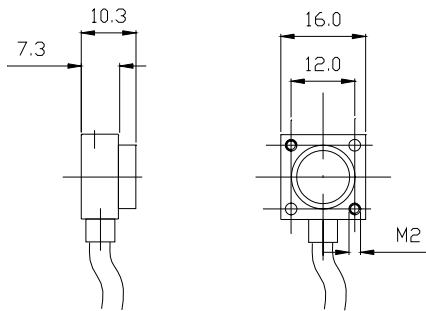
Connector pinout



- 1: Power +
- 2: NC
- 3: GND
- 4: Output

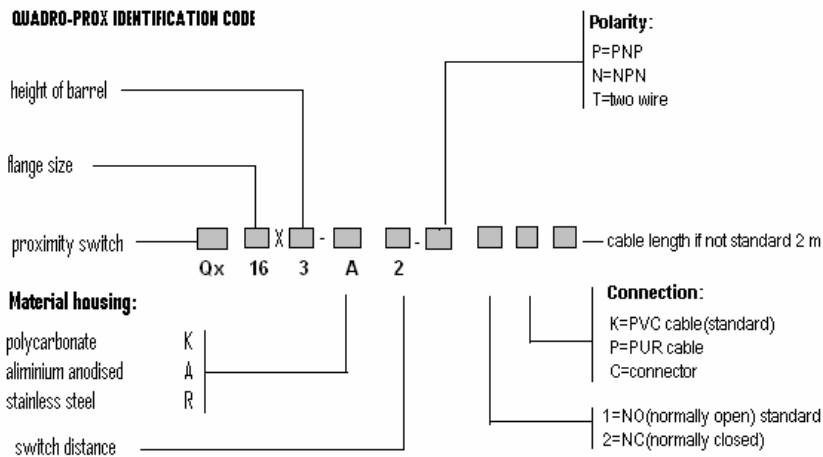


Dimensions



Ordering info

QUADRO-PROX IDENTIFICATION CODE



Dewit Industrial Sensors by - Oostergracht 40 – 3763 LZ Soest – P.O. Box 3334 – 3760 DH Soest – The Netherlands

Phone: +31(0)35 – 603 81 81 – Fax: +31(0)35 – 603 81 80 – E-mail: Info@dis-sensors.nl

Internet: www.dis-sensors.nl

GENERAL DISCLAIMER: DIS reserves the right to make changes to its products and their specifications at any time, without prior notice to anyone. DIS has made every effort to ensure accuracy of the information contained herein but can assume no responsibility for inadvertent errors, omissions or subsequent changes. DIS does not assume any responsibility for the use of any circuit or other information described within this document, and further, makes no representations of any kind that the circuit and information described herein is the infringement of any intellectual property right or any other right of third parties. No express or implied licensees of any DIS intellectual property right is granted by implication or otherwise.



DEWIT INDUSTRIAL SENSORS