

QUADRO-PROX®

Inductive proximity switch for DC – type QX30



The Quadro-prox is an inductive proximity switch for detection of a metal target entering the operating zone.

It has a round sensing head that is much shorter than 'barrel' type sensors. It is mounted in a compact square polycarbonate or metal housing with a well secured cable running at right angles to the sensing beam.

The Quadro-prox is equipped with a clearly visible status led.

Thanks to its right-angled sides, it has a very high rigidity. The vulnerable electronics is mounted in a flexible filling compound. As a result, the switch is highly resilient to shock and vibration.

Electronically, the switch is identical to a barrel type switch.

APPLICATIONS

Position detection of equipment

components in

- piling rigs
- forklift trucks
- transportation vehicles
- etc.

Coin detection in gaming machines

FEATURES

- Broad range of application areas
- Very compact
- Resilient to shock and vibration
- Visible status led
- Secure cable entry
- NO and NC version
- IP67

Technical data (according to IEC 60947-5-2)

Functional

Sensing distance (S_n)	flush type:	5 mm
	non-flush type:	9 mm
Hysteresis	$\leq 5\% S_n$	
Repeatability	0,2 mm	
Normalized object	Fe360	
Reduction factors	Fe360	1,0 S_n
	Stainless Steel	0,7 S_n
	Brass	0,35 S_n
	Aluminium	0,25 S_n
	Copper	0,20 S_n



Electronic

Power supply
Power ripple
Output
Output current

3-wire

10-30 Vdc
≤ 20%
PNP or NPN
≤ 200 mA
NO or NC
≤ 2 mA
2V (200 mA)
≤ 1000 Hz

2-wire

8-30 Vdc
≤ 20%
DC
≤ 20 mA
NO or NC
≤ 1 mA
8V (20 mA)
≤ 1000 Hz

Environmental conditions

Temperature range -25 to 70 °Celsius
Temperature drift of S_n ≤ 10%
Humidity 0 – 100% RH
Protection IP67

Mechanical

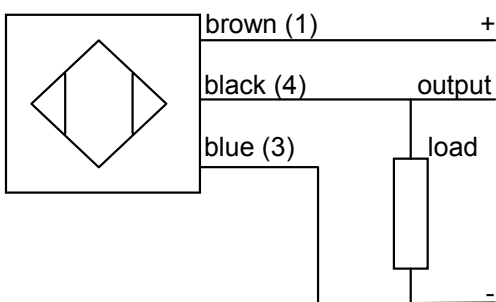
Material housing polycarbonate

Connection

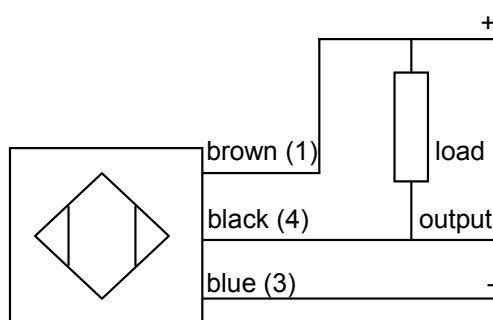
Cable PVC 3*0,34 mm (3-wire)
PVC 2*0,34 mm (2-wire)
Connector M8

Connection diagrams

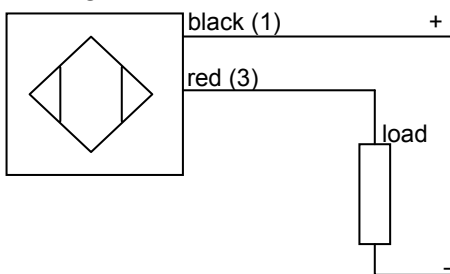
PNP



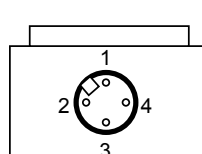
NPN



2-wire



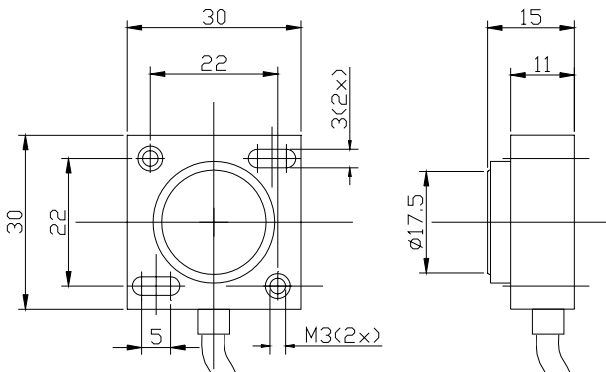
Connector pinout



- 1: Power +
- 2: NC
- 3: GND
- 4: Output

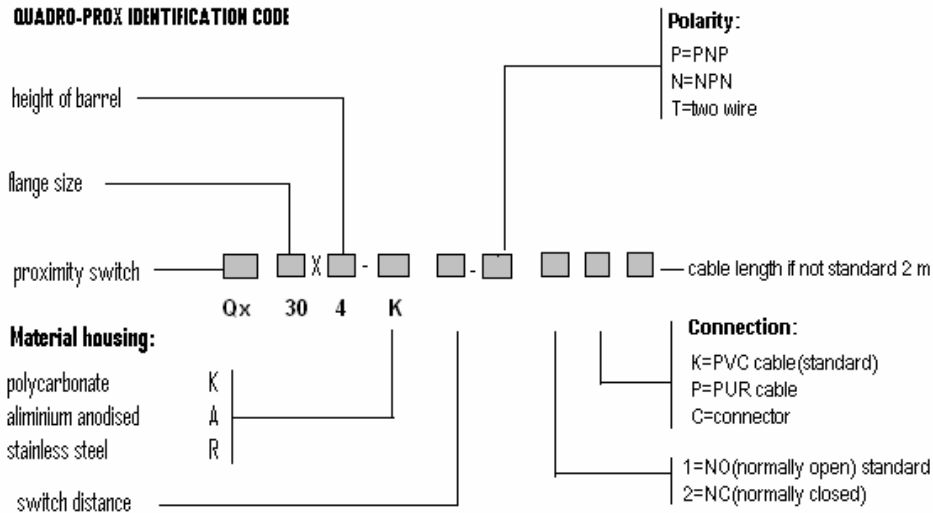


Dimensions



Ordering info

QUADRO-PROX IDENTIFICATION CODE



Dewit Industrial Sensors bv - Oostergracht 40 – 3763 LZ Soest – P.O. Box 3334 – 3760 DH Soest – The Netherlands

Phone: +31(0)35 – 603 81 81 – Fax: +31(0)35 – 603 81 80 – E-mail: Info@dis-sensors.nl

Internet: www.dis-sensors.nl

GENERAL DISCLAIMER: DIS reserves the right to make changes to its products and their specifications at any time, without prior notice to anyone. DIS has made every effort to ensure accuracy of the information contained herein but can assume no responsibility for inadvertent errors, omissions or subsequent changes. DIS does not assume any responsibility for the use of any circuit or other information described within this document, and further, makes no representations of any kind that the circuit and information described herein is the infringement of any intellectual property right or any other right of third parties. No express or implied licensees of any DIS intellectual property right is granted by implication or otherwise.

