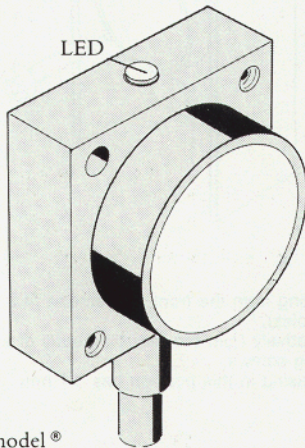


Quadro-prox[®]

The smallest and most robust proximity switch

The inductive proximity switch for DC – type Qx 35



Sensing distance 10 mm and 15 mm screened
Short current protected.

The small rigid housing, potted with high quality silicon for optimal protection against mechanical load and most chemically aggressive conditions. (moisture, oil, etc.)

The Qx 35 is standard obtainable in 4 mm necklengths. Other sizes on request.

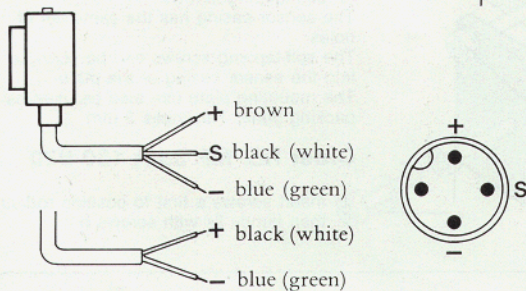
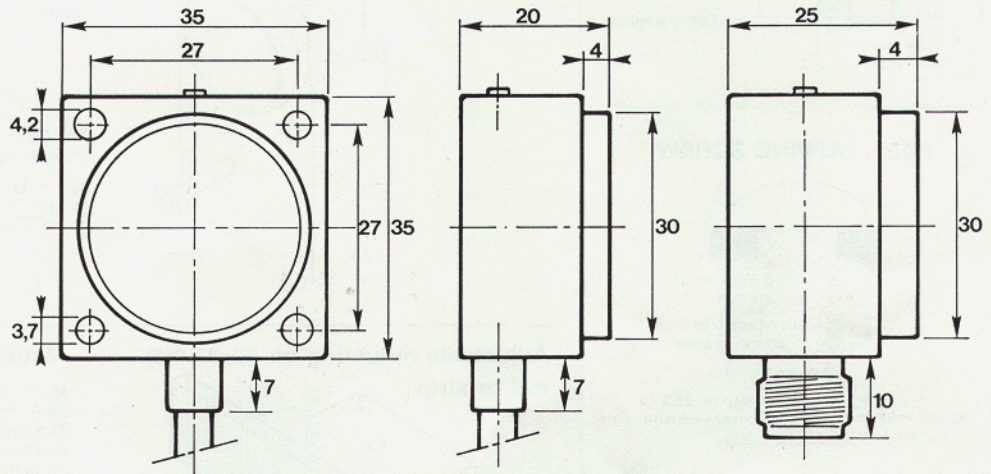
ACTUAL SIZE

model[®]

Qx 35-9*

* None standard

Standard Qx 35-4



- Other sizes on request.
- The glue coated tulle protects the cable optimal against mechanical load and prevents moisture, oils, etc. from penetrating.
- Attention:
Enlarging the fixing holes might destroy the functioning of the switch.

Modifications with reserve.

Patent pending.

TECHNICAL DATA

Three wire. PNP or NPN output

Supply voltage (ripple 10%) V _b	10-30 V DC
Current drain	approx 1mA
Max. output current I _a	250mA
Saturation Voltage (I _a = 250 mA)	1,8 V
Cable or connector	Cable LiYY 3 × 0,34mm ² length 2m
Short current protection	PUR cable on request
with memory function	

Two wire

Supply voltage (ripple 10%) V _b	8-30 V DC
Current drain	approx 1mA
Output current	approx 10mA
Cable or connector	Cable LiYY 2 × 0,34mm ² length 2m
	PUR cable on request

General information:

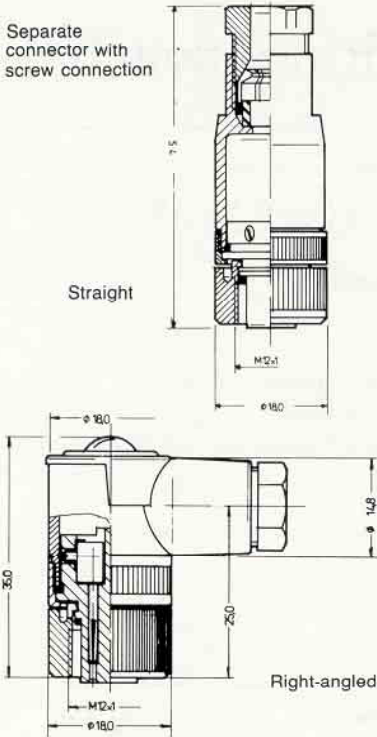
Nominal sensing distance S _n	10 mm and 15 mm totally screened.
Switching frequency	approx 500Hz (EN50010)
Hysteresis (typ)	aprox 6-10% S _n . (10-20% by 15 mm)
Operations	N.O.
Ambiant temperature	-25°C ... +70°C
Environmental protection (cable)	IP67 (DIN 40 050)
with connector	IP67
Case	Aluminium anodised or stainless steel with industrial plastic or ceramic head.

Dewit Industrial Sensors bv

P.O.Box 3334, 3760 DH Soest, The Netherlands
Phone: +31(0)35 - 603 81 81
Fax: +31(0)35-603 81 80
E-mail: info@dis-sensors.nl
Internet: www.dis-sensors.nl

MOUNTING POSSIBILITIES FOR THE QUADRO-PROX Qx35

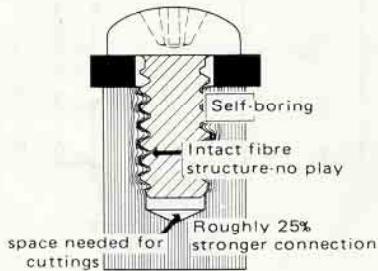
Separate connector with screw connection



Straight

Right-angled

SELF-TAPPING SCREW

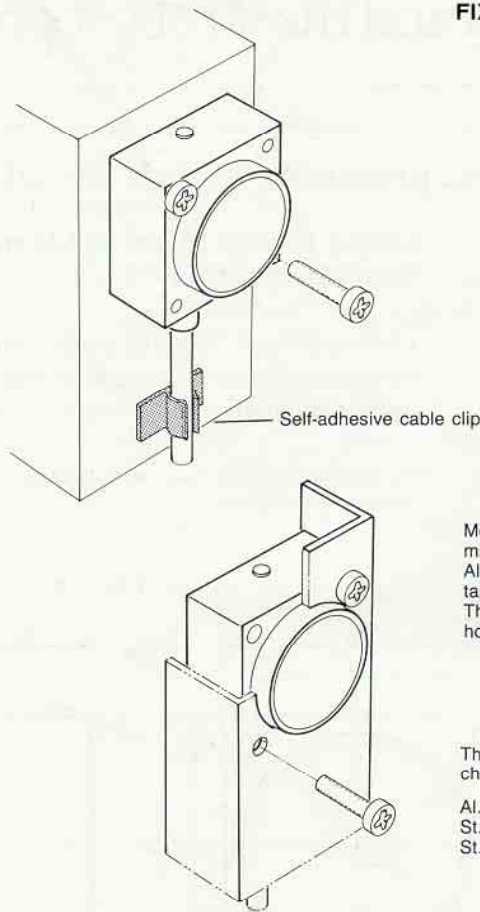


Self-tapping Screw
2 self-tapping screws are included as standard for swifter and simpler mounting

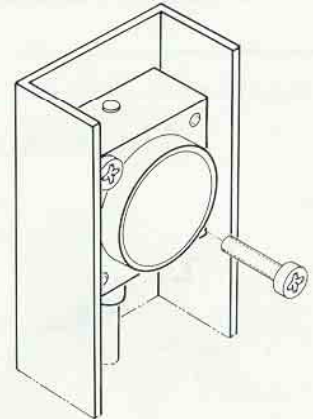
- just bore 3.7 mm holes. Tapping not necessary
- a normal M 4 screw thread is cut
- can be driven home with an electric tool

Can be used with materials such as metal, plastic etc.

NON-ADJUSTABLE FIXING



NON-ADJUSTABLE PROTECTED FIXING

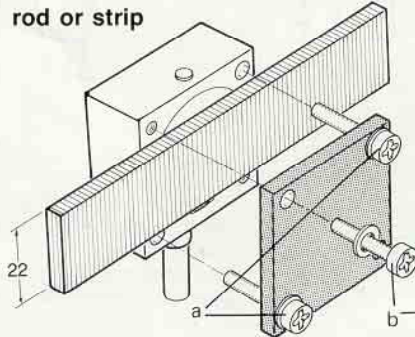


▲
Mounting from the front with screws (4.2 mm holes).
Alternatively from the rear by means of self-tapping screws.
The casing in this position has 3.7 mm holes

The Qx35 fits inside the following standard channel sections

Al.	U	20 x 40 x 20 x 2 mm
St.St.	□	50 x 25 x 2 mm
St.	U	20 x 40 x 20 x 2 mm

Adjustable mounting on 20-22 mm rod or strip



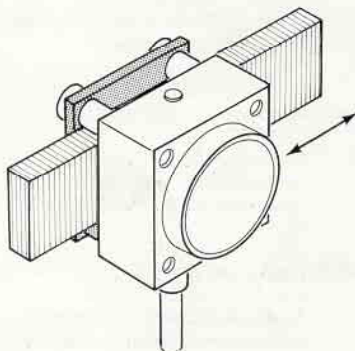
Mounting plate.

Multifunctional mounting plate type MP 35-A Part No. 129 B20
The mounting plate has two 4.2 mm holes and two 3.7 mm holes diagonally opposite for self-tapping screws
The sensor casing has the same set of holes
The self-tapping screws can be screwed into the sensor casing or the plate
The mounting plate can also be used as a packing plate. Thickness 3 mm

Order No. MP 35 A 130-B20

Insert screws a first to position rod/strip, then tightly fix with screws b.

Adjustable mounting of Qx35 along the X axis



Adjustable mounting along X and Y axes

By means of two mounting plates (MP 35-A) and strip/rod bent at right angles.

