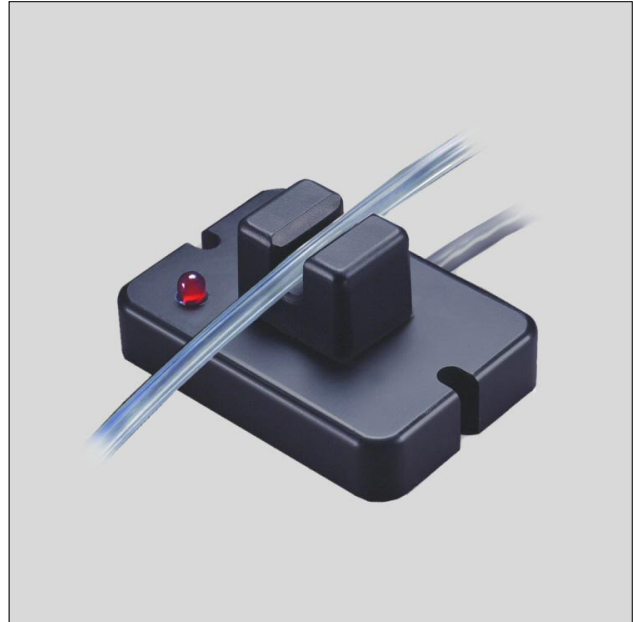


FEATURES

- Non-invasive pulse-type ultrasonic technology
- Integral electronic circuitry
- High accuracy and reliability
- Dry coupled, no coupling gel required
- Output signal not affected by fluid or tubing colour
- High EMI and RFI noise immunity

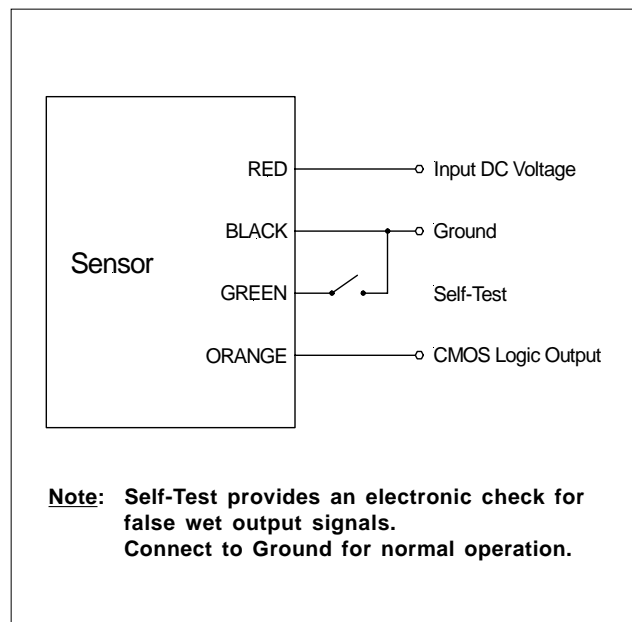


SPECIFICATIONS

Maximum ratings

Supply voltage (V_s)	5, 12 or 24 V_{DC} ($\pm 10\%$)
Supply current without LED	40 mA
with LED	50 mA
Temperature limits	
Storage	-20 ... 85 °C
Operating	5 ... 60 °C
Humidity limits	0 - 95 %RH (non-condensing)

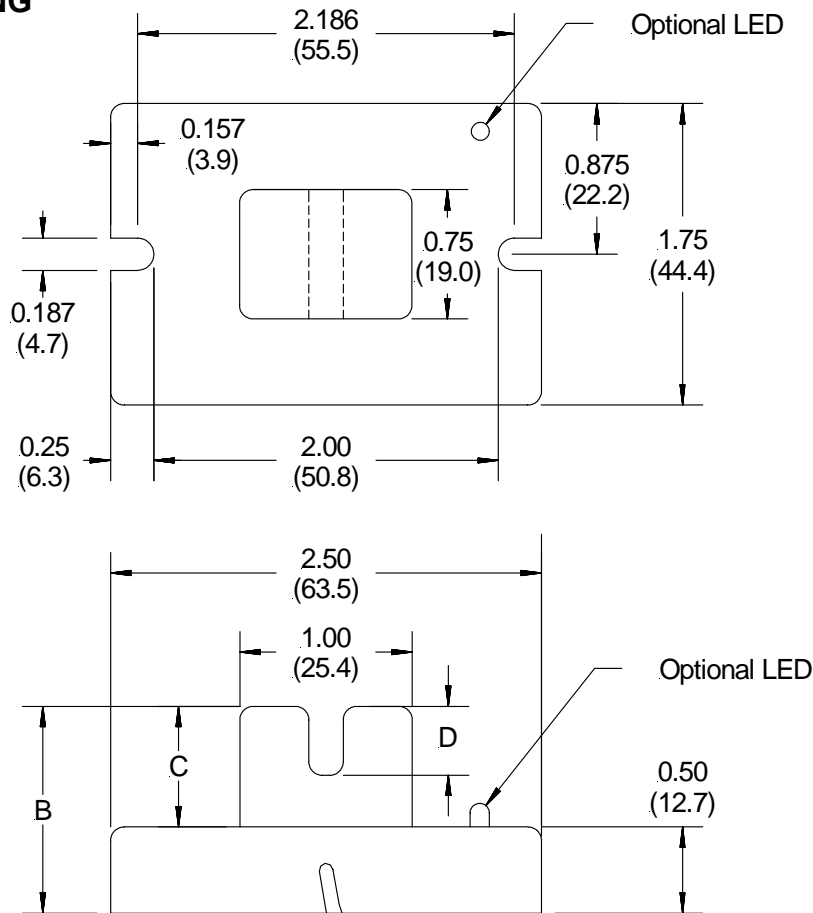
ELECTRICAL CONNECTION



PERFORMANCE CHARACTERISTICS

Characteristics	Min.	Typ.	Max.	Units
Logic low voltage		0		V
Logic high voltage		5		
Response time	wet to dry		0.200	ms
	dry to wet	11		

OUTLINE DRAWING



Dimensions

Tubing size	B	C	D
1/16" O.D.	1.25	0.75	0.150
1/8" O.D.	1.12	0.62	0.325
1/4" O.D.	1.20	0.70	0.400
3/8" O.D.	1.325	0.825	0.525
1/2" O.D.	1.55	1.05	0.75

all dimensions in inches (mm)

ORDERING INFORMATION

Options	Series	Design type		Options		Input		Application		Tubing size											
	BD	8	9	N	4	8	9	200*	300	500	E	B	S	01	02	4M	03	04	06	08	10
		for rigid tubing	for soft tubing	None	LED	Open collector output and LED	Open collector output	24 V _{DC}	12 V _{DC}	5 V _{DC}	End of sample	Bubble size equal to tube I.D.	Bubble size down to 50 % of tube I.D.	1/16 inch O.D.	1/8 inch O.D.	4 mm O.D.	3/16 inch O.D.	1/4 inch O.D.	3/8 inch O.D.	1/2 inch O.D.	5/8 inch O.D.
								* not available with LED				Notes: 01: only as BD8-...E01 4M, 08, 10: only as BD9-... 03: only as BD8-...									
Sample order no:	BD	9	-	8				300	-	E				04							

Notes: Sensortechncs is asking customers for a sample of their tubing. The sensor will then be calibrated for exactly this tubing. For proper function the sensor should only be used with the tubing which was sent to Sensortechncs!

Custom specific modifications are widely available. Please contact your nearest Sensortechncs sales office for further information.