

MTi

MINIATURE ATTITUDE AND HEADING REFERENCE SYSTEM



xsens

The MTi is a miniature size and low weight 3DOF Attitude and Heading Reference System (AHRS). The MTi contains accelerometers, gyroscopes and magnetometers in 3D, and as such is an Inertial Measurement Unit (IMU) as well. Its internal low-power signal processor provides real-time and drift-free 3D orientation as well as calibrated 3D acceleration, 3D rate of turn and 3D earth-magnetic field data.

The MTi is an excellent measurement unit for stabilization and control of cameras, robots, vehicles and other (un)manned equipment.

Highlights

- Real-time computed attitude/heading and inertial dynamic data
- 360° orientation referenced by gravity and earth magnetic field
- Integrated 3D gyroscopes, accelerometers and magnetometers
- On board DSP with realtime sensor fusion algorithm
- Gyroscopes enable high-frequency orientation tracking
- High update rate (120 Hz), inertial data at max 512 Hz
- Individually calibrated for temperature, 3D misalignment and sensor cross-sensitivity
- Accepts and generates synchronization pulses

Compact Design

- Compact and robust design
- Easy integration in any system or application (OEM)
- Low weight, ultra-low power consumption

High Performance

The MTi uses inertial sensors in order to estimate the orientation. The gyroscopes are used to calculate orientation. Integration drift is inevitable whilst using gyroscopes. To compensate for drift completely, the MTi corrects its orientation every sample using the gravity and the earth magnetic field as reference vectors. The sophisticated Xsens sensor fusion algorithm can cope with temporary magnetic disturbances and short-term acceleration, resulting in a reliable orientation estimate. Additionally, the MTi incorporates a magnetic field mapping routine to correct for hard and soft iron effects.

User scenarios

The MTi is a sensor which can be used in a wide range of applications. To accommodate application specific requirements, the fusion algorithm supports different filter settings and constraints, implemented in scenarios.

Output

- 3D orientation (360°)
- 3D acceleration
- 3D rate of turn
- 3D magnetic field



TYPICAL USAGE APPLICATIONS



Subsurface marine

- Control and stabilization of AUV/ROV/UUV
- Orientation correction for USBL systems

The MTi will fit even in the smallest AUV/ROV/UUV, because of its small footprint. Still, it offers a remarkable accuracy in terms of orientation, dynamic data and immunity to magnetic disturbances, it has proven to be an excellent choice for small to medium sized submersibles. The on-board digital processor outputs orientation for instantaneous attitude control. The MTi can be used as a stable compass as well, using various hard- and software features. Another good example of the application of the MTi is the orientation correction for USBL systems. The direct low-level communication allows full and easy control.



Surface Marine

- State estimation of all kinds of ships and platforms
- Orientation correction for echo sounders and sonar
- Sensor input for Dynamic Positioning (DP) systems
- Correction of sensor systems on buoys

The MTi is used for state estimation on ships, ranging from small survey vessels to large container ships. The information can be stored or displayed real-time. The MTi easily fits in small systems, such as echo sounders, sonar heads and harbour protection systems. Because of small data- packages the MTi is extremely suitable for installation in buoys to monitor orientation for long-term measurements, where storage capacity may be an issue. The MTi is also used in research concerning sea and weather dynamics.



Unmanned ground vehicles and robotics

- Autonomous attitude control of driving and walking robots
- Control and stabilization of Unmanned Ground Vehicles (UGV)

Using the MTi in robotics is a logical choice when accurate attitude and a direct communication is mandatory. The MTi is valued for its low size and weight and can be easily configured in accordance with the user's requirements. In walking, humanoid and biped robots, the low response time of the MTi proves to be essential to provide reliable balance control. For unmanned ground vehicles, the MTi is just as useful, providing orientation and dynamic information at a very low cost. The MTi has been used by teams in all DARPA Challenges.



Other

- Camera/antenna stabilization
- Vehicle dynamics
- Bore technology

The MTi's internal sensors provide full 3D dynamics data (acceleration and rate of turn) of any vehicle. The small size allows the MTi to be used in small-diameter pipes (under 40 mm). Together with odometry, the MTi can serve as an input to provide a full map of underground piping. The MTi can be used in many other miscellaneous applications, such as camera stabilization and antenna aiming.

ACCESSORIES

Cable options

CA-USB2



USB cable

CA-SERI



Serial cable
RS232 + pigtail

CA-DB9i



RS232, DB9
power

PA-MP



Power adapter
(for CA-DB9i only)

MTi DEVELOPMENT KIT

MTi Development Kit (MTi DK)

The MTi DK contains the following:

- MTi (any configuration)
- USB cabling
- MT Software Development Kit (see below)
- Hardcopy documentation
- Optional: serial cabling
- Suitcase

MT Software Development Kit (MT SDK)

The MT SDK is an extensive set of tools for every level of interfacing, which allows configuring the MTi to the user needs, reading out and storing data and (re-)processing MTi data previously recorded. It also allows the user to generate own source code using commands and code examples provided.

The MT SDK contains:

MT Manager

An easy-to-use graphical user interface with possibilities to configure Xsens' sensors, read out, store and show data in real-time charts and visualizations.

MT COM-object API and DLL API for Windows

Integrating the MTi in Windows programs, such as Matlab, C++ and Excel is made easy with the MT COM-object API and the DLL API. User-modifiable example code for Matlab, C++ and Excel (VBA) is included.

C++ Class and binary communication for any (RT)OS

A C++ class is available for users who want to use the MTi on a binary level. Direct communication without using the C++ class is possible, following the fully documented communication protocol.

Magnetic Field Mapper plug-in

The Magnetic Field Mapper plug-in enables compensation for hard and soft iron effects.



XSENS

MTi TECHNICAL SPECIFICATIONS

Attitude and Heading

Static accuracy (roll/pitch)	<0.5 deg
Static accuracy (heading) ¹	<1 deg
Dynamic accuracy ²	2 deg RMS
Angular resolution ³	0.05 deg
Dynamic range:	
- Pitch	± 90 deg
- Roll/Heading	± 180 deg
Maximum update rate:	
- Onboard processing	120 Hz
- External processing	512 Hz

Interfacing

Digital interface	RS-232, RS-485, RS-422 (max 921k6 bps) and USB (ext. converter)
Operating voltage	4,5 - 30V
Power consumption	350 mW
Interface options i/o	SyncOut, AnalogIn, SyncIn (depends on digital interface)

Maximum operational limits

Ambient temperature	
Operating range ⁴	-20...+60 °C

INDIVIDUAL SENSOR SPECIFICATIONS

Sensor performance

Dimensions	
Full Scale (standard)	
Linearity	
Bias stability ⁵	
Scale Factor stability ⁵	
Noise	
Alignment error	
Bandwidth	
Max update rate	

Rate of turn

3 axes
± 300 deg/s
0.1% of FS
1 deg/s
-
0.05 deg/s/√Hz
0.1 deg
40 Hz
512 Hz

Acceleration

3 axes
± 50 m/s ²
0.2% of FS
0.02 m/s ²
0.03%
0.002 m/s ² /√Hz
0.1 deg
30 Hz
512 Hz

Magnetic field

3 axes
± 750 mGauss
0.2% of FS
0.1 mGauss
0.5%
0.5 mGauss
0.1 deg
10 Hz
512 Hz

HARDWARE SPECIFICATIONS

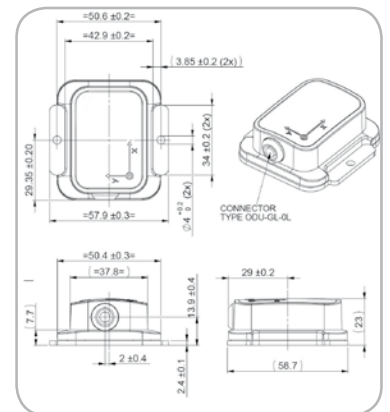
Housing

Dimensions (WxLxH)	58x58x22 mm
Weight	50 g

Options

Interface:					
RS-232	28	Full scale acceleration:	A33	Full scale rate of turn:	G15
RS-485	48	1.7g (17 m/s ²)	A53	150 deg/s	G35
RS-422	68	5g (50 m/s ²)	A83	300 deg/s	G25
		18g (180 m/s ²)		1200 deg/s	

Product code:	MTi-## A## G##
Standard version:	MTi-28 A53 G35



Note: Specifications subject to change without notice

- ¹ in homogeneous magnetic environment
- ² under condition of a stabilized Xsens sensor fusion algorithm
- ³ 1 standard deviation of zero-mean angular random walk
- ⁴ non-condensing environment
- ⁵ deviation over operating temperature range 1σ



XSENS

ABOUT XSENS TECHNOLOGIES

Xsens Technologies is a leading supplier of products for measurement of motion, orientation and position, based upon miniature MEMS inertial sensor technology. Xsens' products are small, low-cost and highly accurate 3D motion measurement units. These specific qualities enable applications such as control, stabilization and navigation of small (unmanned) vehicles and totally new applications such as inertial full-body human motion capturing. Xsens was founded in 2000 and has grown to a leading company in its field. Xsens has won several awards for excellent entrepreneurship, innovative products and rapid growth. All employees in R&D and sales have a technical higher education or extensive experience in their field of technical sales. Xsens has customers in more than 60 countries.



xsens

Xsens Technologies B.V.

phone +31 88 97367 00

fax +31 88 97367 01

e-mail info@xsens.com

internet www.xsens.com